

## 19" Ecoline Cabinet (600x600 mm & 600x800 mm & 600x1000 mm)



### FEATURES

4 different height 22U, 26U, 32U, 42U  
 3 different depth (600mm., 800mm., 1000mm)  
 Secure, locking front and back doors with spring loaded hinges.  
 Front door features a full-length smoked shatterproof glass panel with decorative accent trim, and integrated locking mechanism  
 Multiple cable entry points provide maximum versatility. There is a sliding access panel on the bottom. There are prepunched holes on the top of the cabinet, rear side of bottom and top cases.  
 Solid metal bottom with access panel  
 Non-opening side panels are used as upright frames (unique body) gives extra stability.  
 Adjustable front and back mounting rails allow for flexible configuration  
 Available in both 600mm. and 800mm. depths.  
 Three sets of front-to-back metal rods for stability.  
 Available in light gray with orange accent, or blue, or green. Versatile-can be used in varied locations and environments, yet stylishly designed for showcase applications.  
 Dedicated space for top mount cooling system (system not included)

### STANDARDS

ISO 9001:2000  
 TSE:EN 61587-1 Mechanical Structures For Electronic Equipment - Tests For IEC 60917 And IEC 60297  
 Climatic and Environment:EN 61587-1/4.2, IEC60068-2-1, IEC60068-2-2, IEC60068-2-30,  
**Static Mechanical Load Lifting:** EN61587-1/5.2.1  
**Static Mechanical Load Stiffness:** EN61587-1/5.2.2  
**Dynamic Mechanical Load Vibration and Shock,**  
**Impact:** EN61587-1/5.3.1, EN61587-1/5.3.3, IEC60068-2-6, IEC60068-2-27,  
**Earth Bond:** EN61587-1/6.2  
**Flammability:** EN61587-1/6.3  
**Degrees Of Protection Provided By Enclosures (Ip Code):**  
 IP20 or IP55, EN61587-1/6.4

### COMPLIANCES

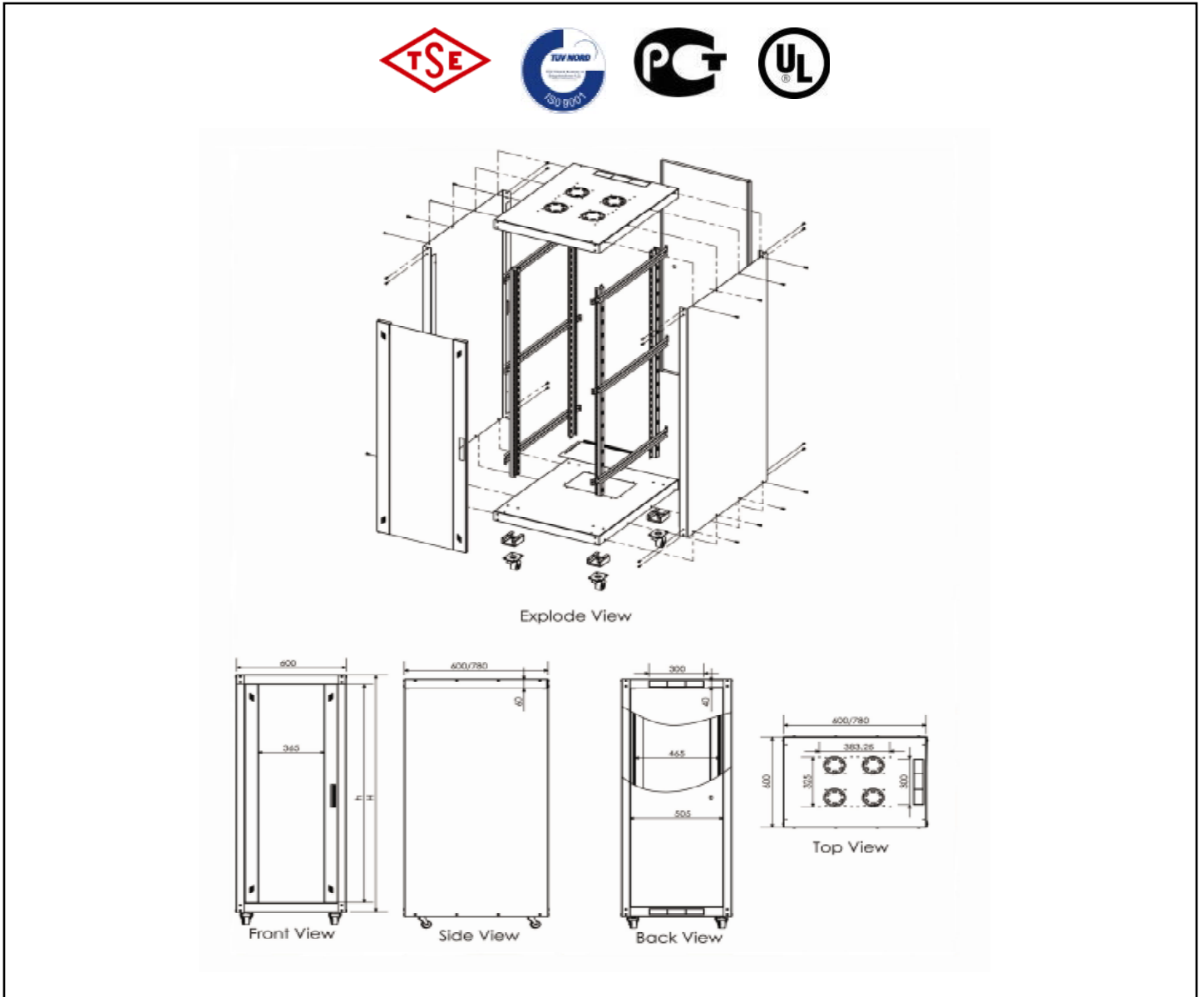
UL and Cul  
**Load Carrying Capacity:** 400 kg  
**Surface Treatment:** Fosfat coating  
**Painting:** Ral7035 / Ral9005

Material Definition and Properties, Thicknesses and Shipment Configuration

Part Definition	Material thickness	Material definition & properties	Shipment Configuration
Upper Case	1,5 mm	DIN EN 10130 - 99 EREGLI DC-01 6112 CRS	1ea.
Bottom Case	1,5 mm	DIN EN 10130 - 99 EREGLI DC-01 6112 CRS	1ea.
Front Door	1,5 mm	DIN EN 10130 - 99 EREGLI DC-01 6112 CRS & 4mm SECURE AND TEMPERED GLASS AND LOCK	1ea.
19" mounting angles	1,5 mm	DIN EN 10130 - 99 EREGLI DC-01 6112 & GALVANIZED COATING	4ea. ( 2ea. at front , 2ea. at rear )
Rear Door	1,2 mm	DIN EN 10130 - 99 EREGLI DC-01 6112 CRS	1ea.
C-rails	1,5 mm	DIN EN 10130 - 99 EREGLI DC-01 6112 & GALVANIZED COATING	6ea.
Fan Tray (unloaded)	1,5 mm	DIN EN 10130 - 99 EREGLI DC-01 6112 CRS	1ea.
Side Doors	1,5 mm	DIN EN 10130 - 99 EREGLI DC-01 7122 CRS	2ea.
Caster Profile	2 mm	GALVANIZED	4ea.

## 19" Ecoline Cabinets and Racks (600x600mm)

### TECHNICAL DRAWINGS

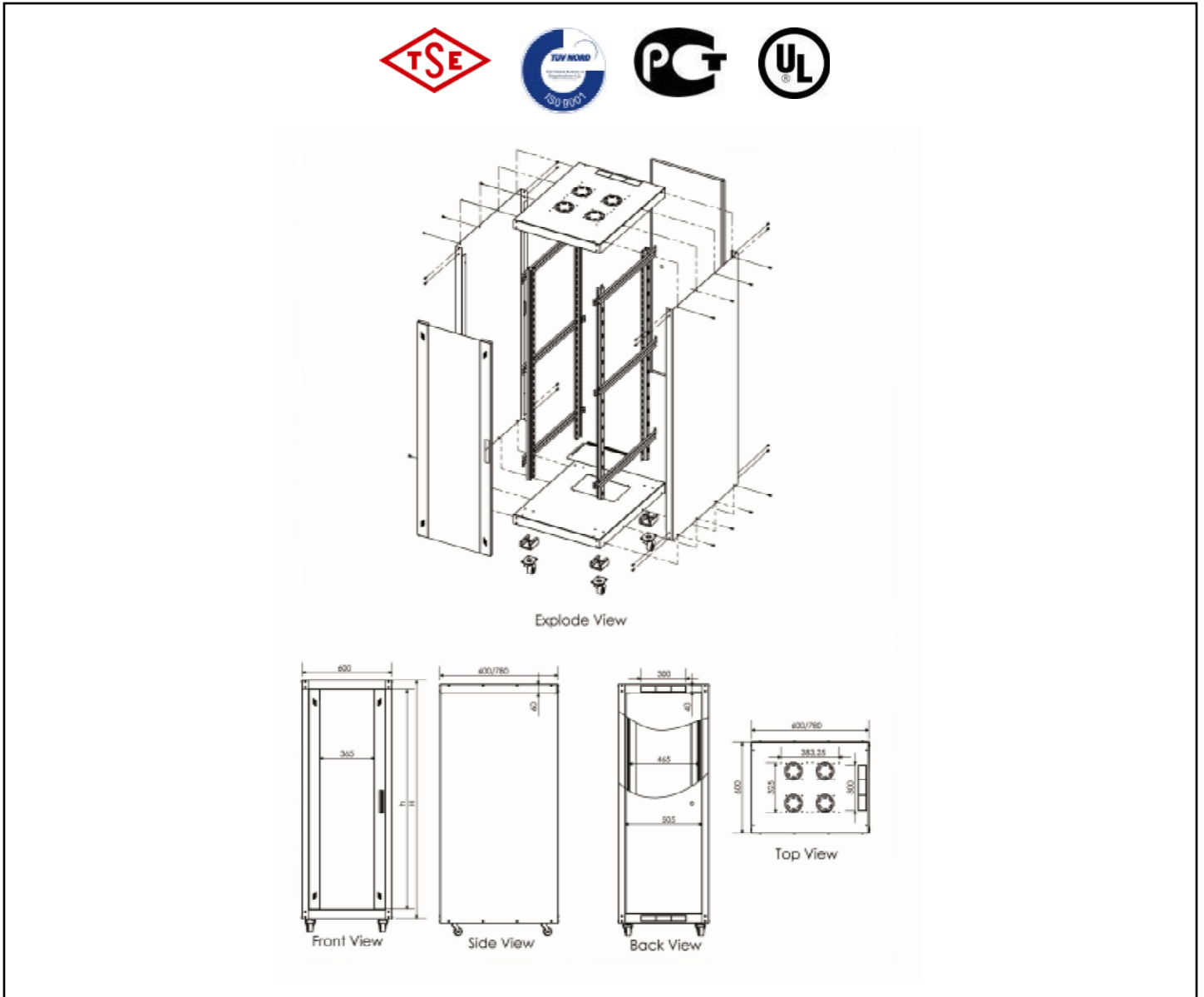


19" Ecoline cabinets width=600mm depth=600mm			
Order No	U=44.45 (mm)	h = inside height(mm)	H = outside height(mm)
ECO16U66	16	714,40	855,30
ECO22U66	22	981,10	1122
ECO32U66	32	1425,60	1567
ECO42U66	42	1870,10	2012

Shipping Data						
Order No	Quantity	Shipping Dimension (palette) WxDxH	Net Weight (kg)	Gross Weight (kg)	Shipping configuration depth (mm)	Max 19" depth
ECO16U66	10	1335x787x2320	484	649	390	470
ECO22U66	10	1335x787x2320	524	683	390	470
ECO32U66	10	1665x787x2320	664	799	390	470
ECO42U66	10	2120x787x2320	840	1003	390	470

# 19" Ecoline Cabinets and Racks (600x800mm)

## TECHNICAL DRAWINGS

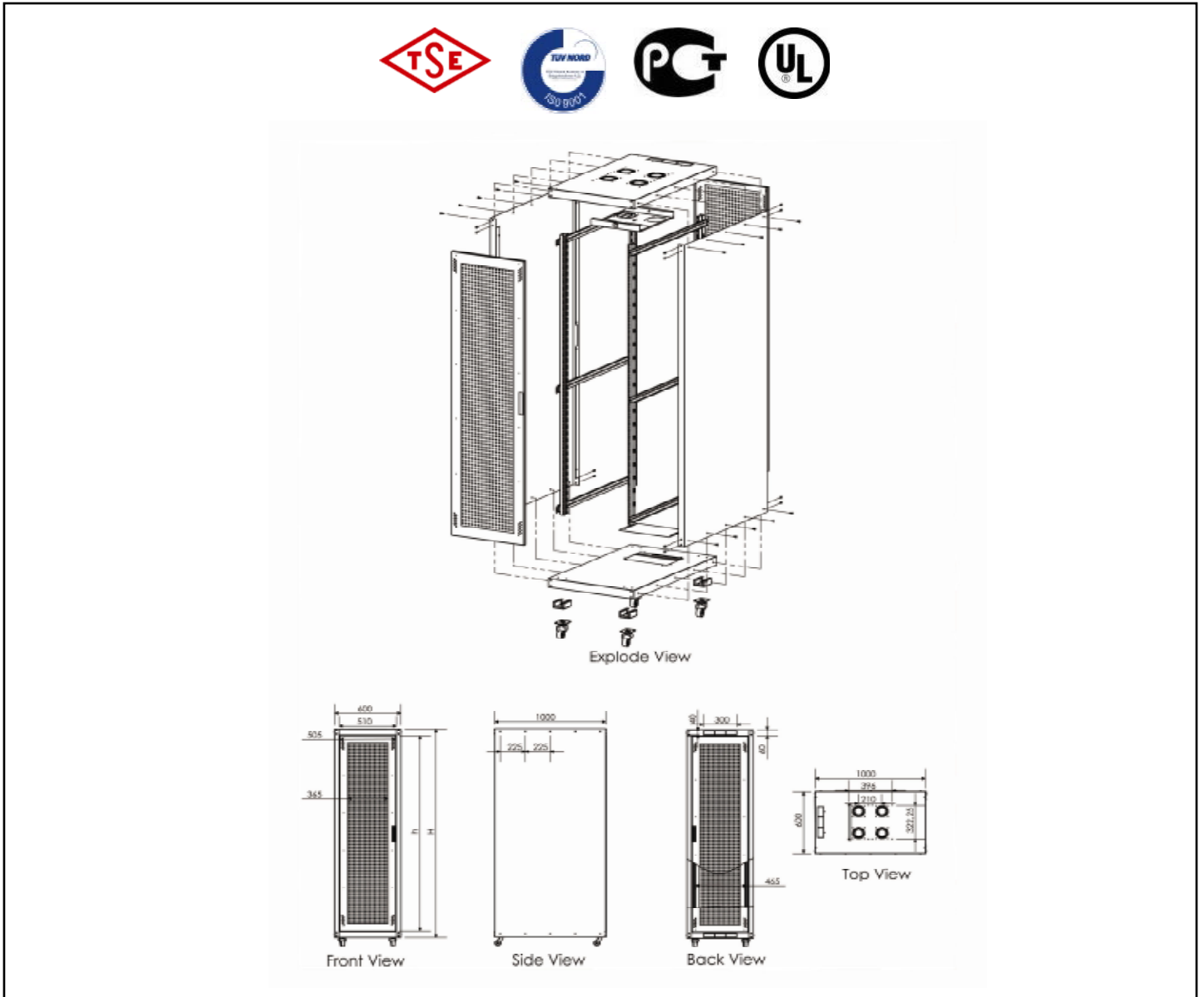


19" Ecoline cabinets width=600 mm depth=800 mm			
Order No	U=44.45 (mm)	h = inside height(mm)	H = outside height(mm)
ECO16U68	16	714,40	855,30
ECO22U68	22	981,10	1122
ECO32U68	32	1425,60	1567
ECO42U68	42	1870,10	2012

Shipping Data						
Order No	Quantity	Shipping Dimension (palette) WxDxH	Net Weight (kg)	Gross Weight (kg)	Shipping configuration depth (mm)	Max 19" depth
ECO16U68	10	792x980x2320	508	688	550	660
ECO22U68	10	1395x980x2320	600	754	550	660
ECO32U68	10	2070x980x2320	786	956	550	660
ECO42U68	10	2120x980x2320	1000	1166	550	660

# 19" Ecoline Cabinets and Racks (600x1000mm)

## TECHNICAL DRAWINGS



19" EcoServer cabinets width=600 mm depth=1000 mm			
Order No	U=44.45 (mm)	h = inside height(mm)	H = outside height(mm)
ECOSRV26U	26	1158,90	1300
ECOSRV36U	36	1603,40	1745
ECOSRV42U	42	1870,10	2012

Shipping Data						
Order No	Quantity	Shipping Dimension (palette) WxDxH	Net Weight (kg)	Gross Weight (kg)	Shipping configuration depth (mm)	Max 19" depth
ECOSRV26U	5	1792x1125x1420	425	580	740	860
ECOSRV36U	5	1395x1125x1420	503	658	740	860
ECOSRV42U	5	2070x1125x1420	596	772	740	860