

Computer Case



FEATURES

- *High security for unauthorized peoples
- *High protection for all physical effects
- *High protection for against to cleaners
- It is possible to fix to the floor from inside of cabinet for safety.
- *Delivered with castor group
- *Decorative and functional
- *Suitable to use under table applications
- *Lockable front and rear door
- *Vented rear door for passive ventilation
- *Sturdy and rugged steel construction
- *Enough housing for data and telephone outlets and blocks.
- *Inner dimensions fit the Server and UPS together.
- *Professional cable management, hiding and protecting the cables.
- *Easy to maintenance and access

COMPLIANCES

UL and cUL

Surface Treatment : Fosfat coating

Painting : Ral7035 / Ral9005

*ISO 9001:2000

*TSE:EN 61587-1 Mechanical Structures For Electronic Equipment - Tests For IEC 60917 And IEC 60297

*Climatic and Environment:EN 61587-1/4.2,IEC60068-2-1 , IEC60068-2-2 , IEC60068-2-30,

*Static Mechanical Load Lifting:EN61587-1/5.2.1

*Static Mechanical Load Stiffness:EN61587-1/5.2.2

*Dynamic Mechanical Load Vibration and Shock , Impact: EN61587-1/5.3.1,EN61587-1/5.3.3,IEC60068-2-6, IEC60068-2-27,

*Earth Bond:EN61587-1/6.2

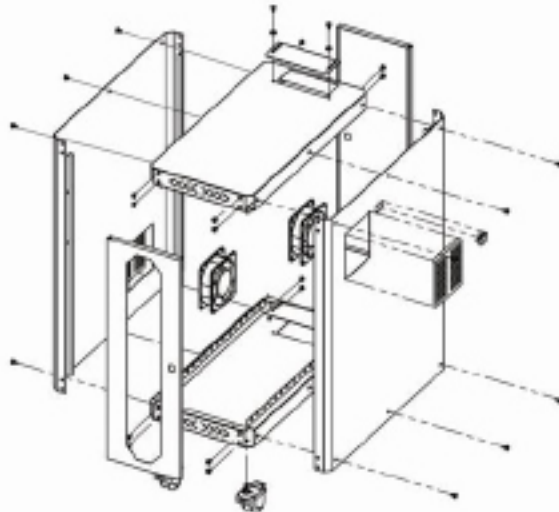
*Flammability:EN61587-1/6.3

*Degrees Of Protection Provided By Enclosures (Ip Code): IP20 or IP55 , EN61587-1/6.4

Material Definition and Properties, Thicknesses and Shipment Configuration

Part Definition	Material thickness	Material definition & properties	Shipment Configuration
Upper Case	1,5 mm	DIN EN 10130 - 99 EREGLI DC-01 6112 CRS	1ea.
Bottom Case	1,5 mm	DIN EN 10130 - 99 EREGLI DC-01 6112 CRS	1ea.
Front Door	1,2 mm	DIN EN 10130 - 99 EREGLI DC-01 6112 CRS	1ea.
Rear Door	1,2 mm	DIN EN 10130 - 99 EREGLI DC-01 6112 CRS	1ea.
Side Door	1,2 mm	DIN EN 10130 - 99 EREGLI DC-01 6112 CRS	1ea.
Left Side Door	1,2 mm	DIN EN 10130 - 99 EREGLI DC-01 6112 CRS	1ea.
Castors Group	-	PVC TYPE	4 ea.

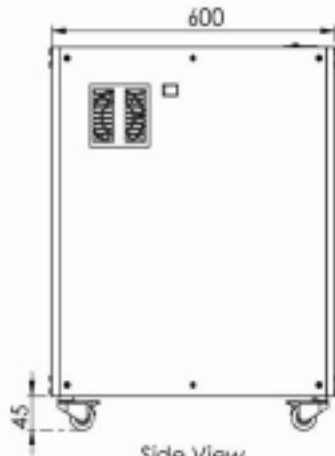
TECHNICAL DRAWINGS



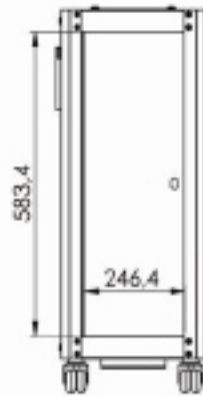
Exploded View



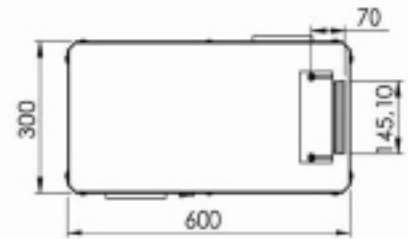
Top View



Side View



Back View



Top View

Computer Case	
Order No	Product Definition
EST90 01	Computer Case- Passive air circulation ,vented
EST90 02	Computer Case-Dustproof – IP54

Shipping Data						
Order No	Quantity	Shipping Dimension (palette) WxDxH	Net Weight (kg)	Gross Weight (kg)	Shipping configuration depth(mm)	Max 19" depth
EST90 01						
EST90 02						