

## 19" AVS Type AUDIO/VIDEO CABINETS and RACKS



### FEATURES

19"

Rugged, sturdy and self-locking structure

**Material thickness:** 1.5mm.

All the way cable access

General purpose functions

Variety in dimensions

Easy to access and professional cabling.

Excellent passive cooling

Modular structure

Lockable, removable, openable rear door.

**Well Packaged:** Shrinked plastic with inner surface and outside is covered by high density cardboard. Corners are supported with syntapor.

Cabinets can be shipped as disassembled in wooden flat package.

### COMPLIANCES

UL and cUL

**Load Carrying Capacity:** 400 kg

**Surface Treatment:** Fosfat coating

**Painting:** Ral7035 / Ral9005

### STANDARDS

ISO 9001:2000

TSE:EN 61587-1 Mechanical Structures For Electronic Equipment - Tests For IEC 60917 And IEC 60297

**Climatic and Environment:** EN 61587-1/4.2, IEC60068-2-1, IEC60068-2-2, IEC60068-2-30,

**Static Mechanical Load Lifting:** EN61587-1/5.2.1

**Static Mechanical Load Stiffness:** EN61587-1/5.2.2

**Dynamic Mechanical Load Vibration and Shock, Impact:**

EN61587-1/5.3.1, EN61587-1/5.3.3, IEC60068-2-6, IEC60068-2-27,

**Earth Bond:** EN61587-1/6.2

**Flammability:** EN61587-1/6.3

**Degrees Of Protection Provided By Enclosures (Ip Code):**

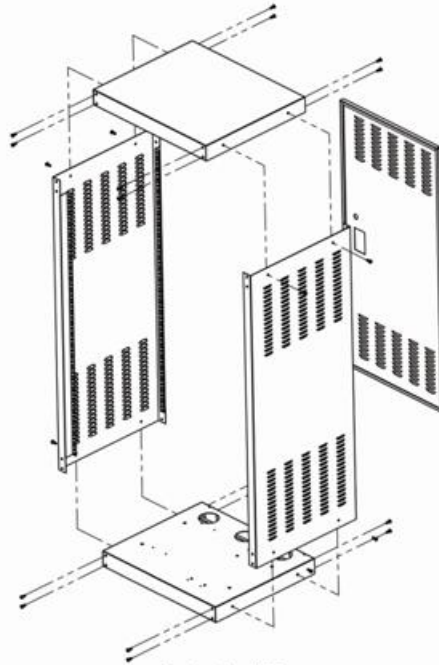
IP20 or IP55, EN61587-1/6.4

Material Definition and Properties, Thicknesses and Shipment Configuration

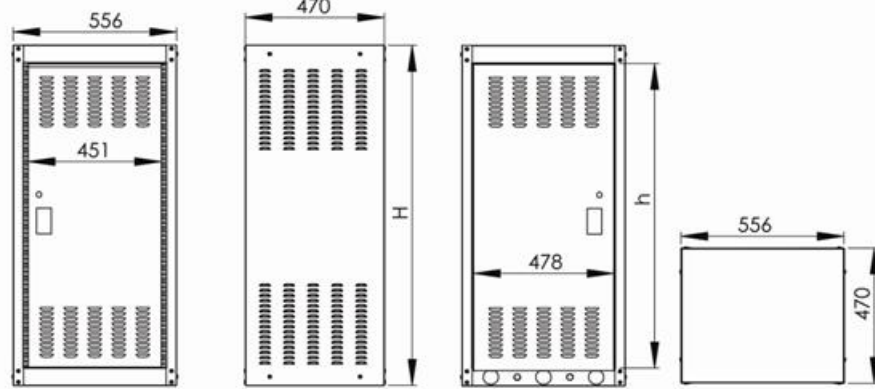
Part Definition	Material thickness	Material definition & properties	Shipment Configuration
Upper Case	1,5 mm	DIN EN 10130 - 99 EREGLI DC-01 6112 CRS	1ea.
Bottom Case	1,5 mm	DIN EN 10130 - 99 EREGLI DC-01 6112 CRS	1ea.
Rear Door	1,5 mm	DIN EN 10130 - 99 EREGLI DC-01 6112 CRS	1ea.
Side Doors	1,5 mm	DIN EN 10130 - 99 EREGLI DC-01 7122 CRS	2ea.

# 19" AVS Type Cabinets

## TECHNICAL DRAWINGS



Exploded View



Front View

Side View

Back View

Top View

19" AVS Cabinets			
Order No	U=44.45 (mm)	h = inside height(mm)	H =outside height(mm)
AVS24U	24	1066	1186
AVS36U	36	1601	1721
AVS42U	42	1868	1988

Shipping Data						
Order No	Quantity	Shipping Dimension (palette) WxDxH	Net Weight (kg)	Gross Weight (kg)	Shipping configuration depth (mm)	Max 19" depth
AVS24U	10	1425x657x2320	350	480	390	-
AVS36U	10	1800x657x2320	490	640	390	-
AVS42U	10	2120x657x2320	580	750	390	-