

19" Wall Mounting Patch-Bracket



FEATURES

It is designed in high quality for cost effective and economical solutions.

Adjustable in depth

Housing for 19" patch panels, and telephone distribution systems.

19" 1U, 2U, 4U or 8U rack mount

COMPLIANCES

UL and cUL

Surface Treatment: Fosfat coating

Painting: Ral7035 / Ral9005

STANDARDS

ISO 9001:2000

TSE:EN 61587-1 Mechanical Structures For Electronic Equipment - Tests For IEC 60917 And IEC 60297

Climatic and Environment: EN 61587-1/4.2, IEC60068-2-1, IEC60068-2-2, IEC60068-2-30,

Flammability: EN61587-1/6.3

Degrees Of Protection Provided By Enclosures (Ip Code):

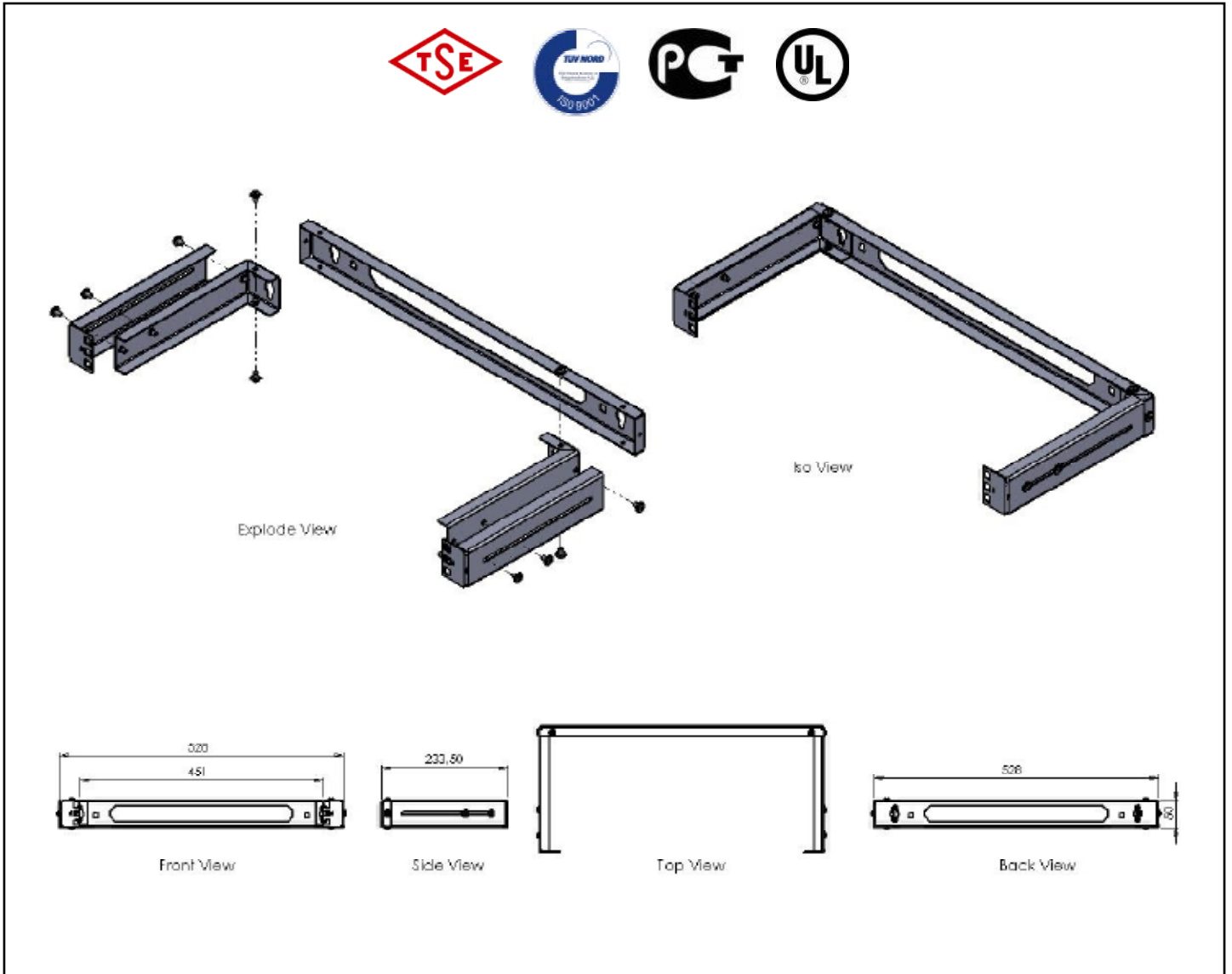
IP20 or IP55, EN61587-1/6.4

Material Definition and Properties, Thicknesses and Shipment Configuration

Part Definition	Material thickness	Material definition & properties	Shipment Configuration
Rear Panel	1,5 mm	DIN EN 10130 - 99 EREGLI DC-01 6112 CRS	1ea.
Main Body	1,5 mm	DIN EN 10130 - 99 EREGLI DC-01 6112 CRS	2ea.
Side Panel	1,2 mm	DIN EN 10130 - 99 EREGLI DC-01 6112 CRS	2ea.

1U 19" Wall Mounting Patch-Bracket

TECHNICAL DRAWINGS

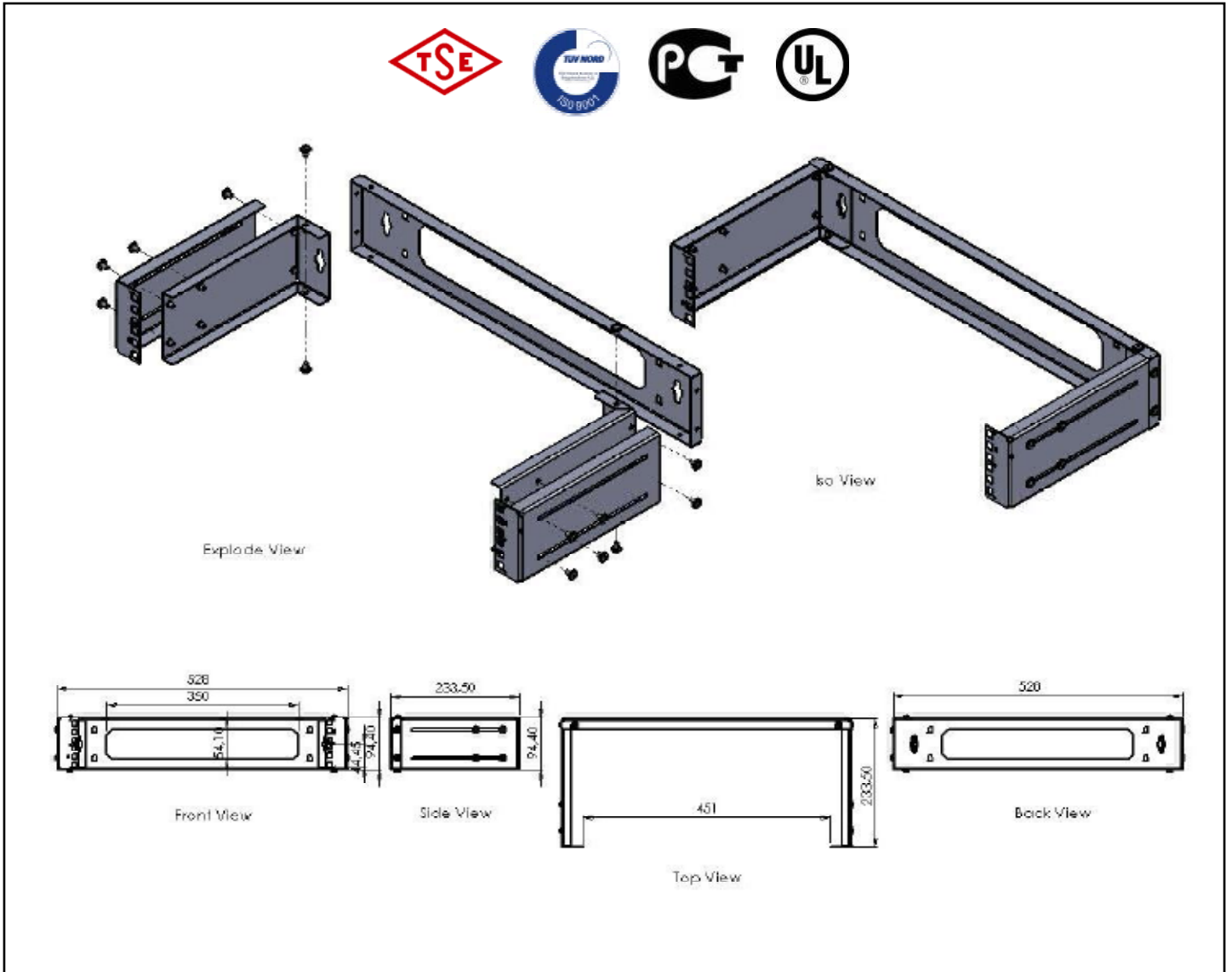


1U 19" Wall Mounting Patch-Bracket	
Order No	Product Definition
M88BR01	1U 19" Wall Mounting Bracket

Shipping Data				
Order No	Quantity	Shipping Dimension (palette) WxHxD	Net Weight (kg)	Gross Weight (kg)
M88BR01	20	681x617x150	24,80	26,00

2U 19" Wall Mounting Patch-Bracket

TECHNICAL DRAWINGS

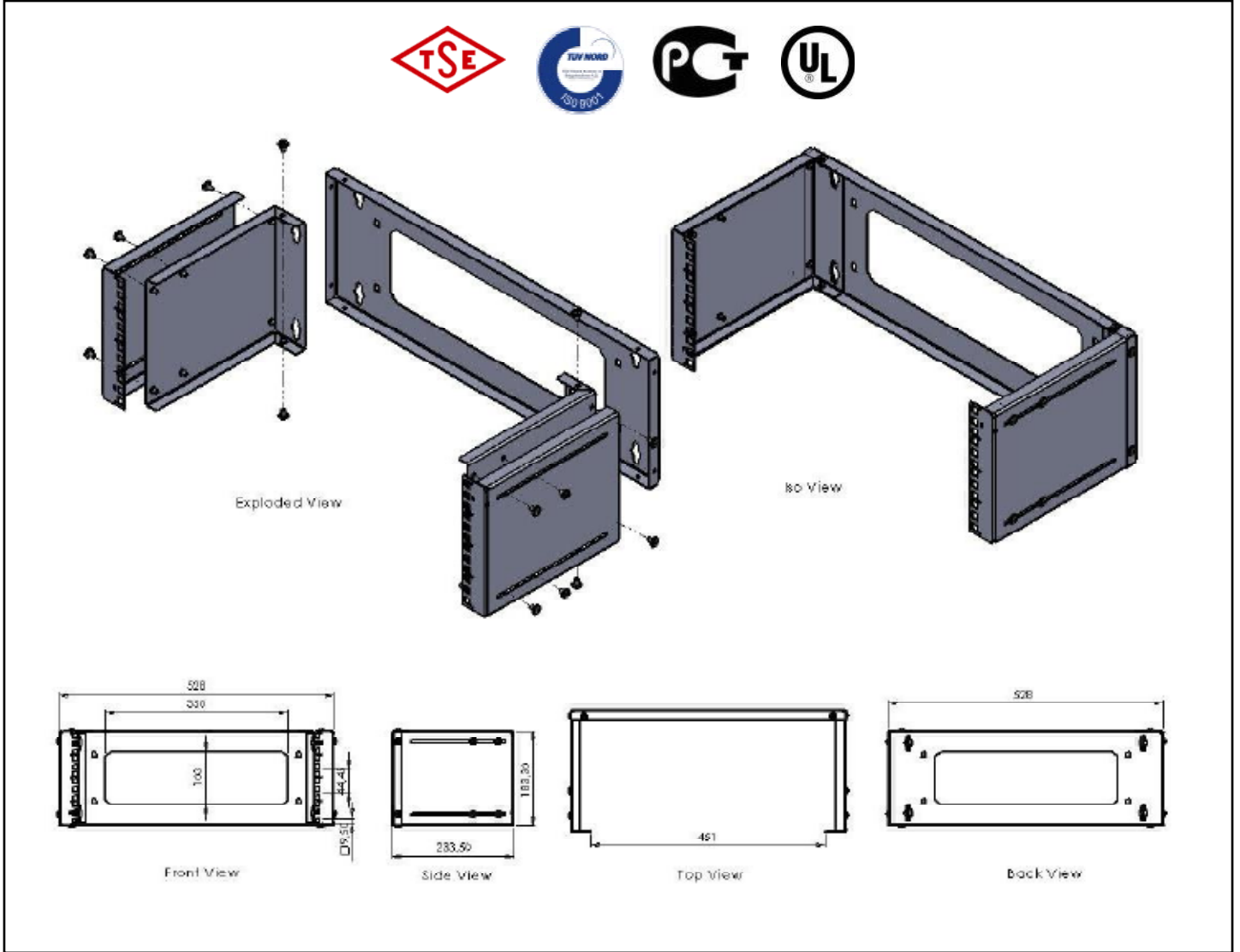


2U 19" Wall Mounting Patch-Bracket	
Order No	Product Definition
M88BR02	2U 19" Wall Mounting Bracket

Shipping Data				
Order No	Quantity	Shipping Dimension (palette) WxHxD	Net Weight (kg)	Gross Weight (kg)
M88BR02	12	681x617x150	24,00	25,50

4U 19" Wall Mounting Patch-Bracket

TECHNICAL DRAWINGS

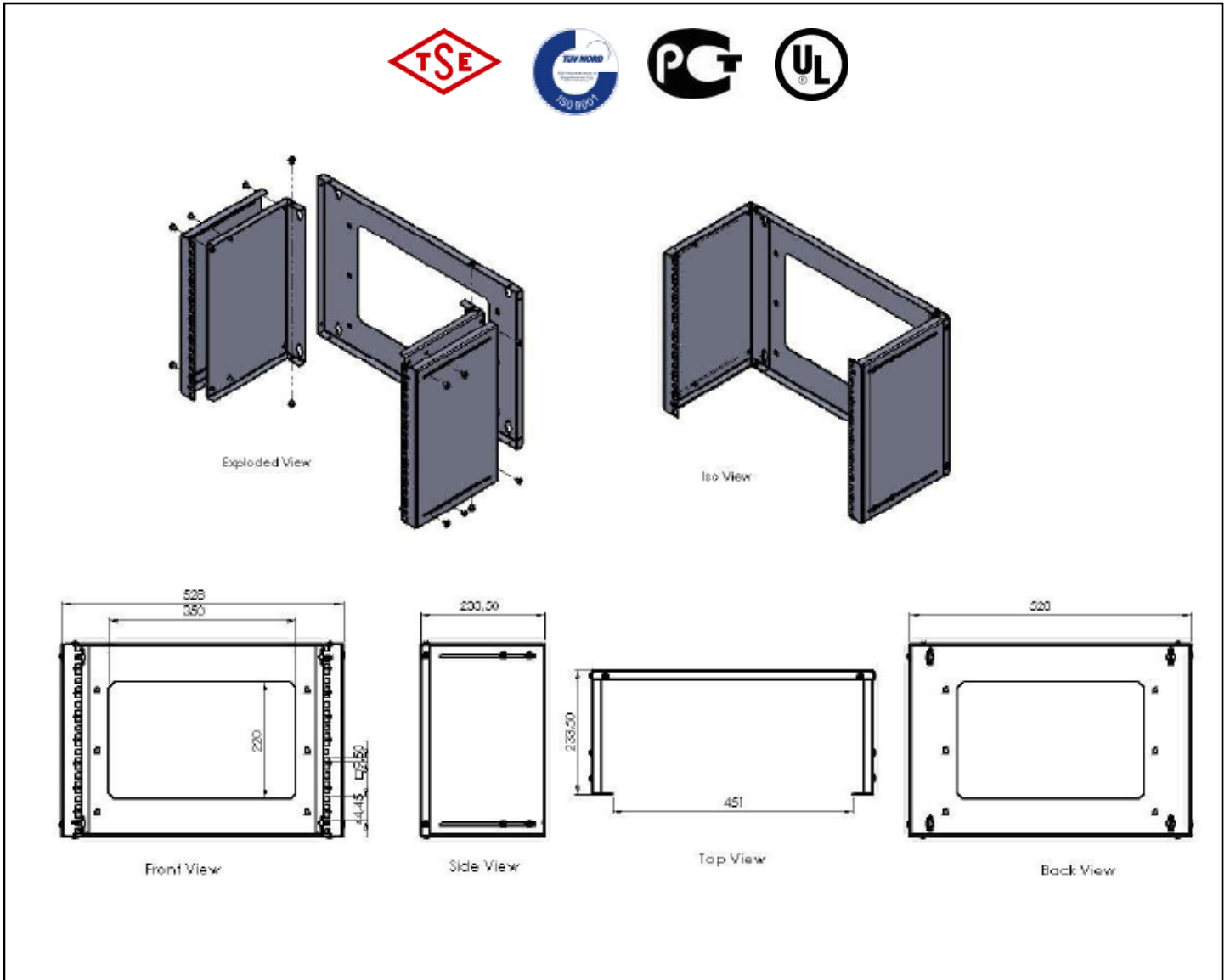


4U 19" Wall Mounting Patch-Bracket	
Order No	Product Definition
M88BR04	4U 19" Wall Mounting Bracket

Shipping Data				
Order No	Quantity	Shipping Dimension (palette) WxHxD	Net Weight (kg)	Gross Weight (kg)
M88BR04	6	681x617x150	21,00	22,50

8U 19" Wall Mounting Patch-Bracket

TECHNICAL DRAWINGS



8U 19" Wall Mounting Patch-Bracket	
Order No	Product Definition
M88BR08	8U 19" Wall Mounting Bracket

Shipping Data				
Order No	Quantity	Shipping Dimension (palette) WxHxD	Net Weight (kg)	Gross Weight (kg)
M88BR08	4	545x425x400	24,40	26,00