

19" Wall Mounting Patchbox



FEATURES

19" PATCHbox cabinets provides an economical solution for wall mount mini cabinets. The PATCHbox features a sturdy and compact design, ideal installation for Small Office, Home Office applications. Housing for 19" patch panels, and telephone distribution systems. 19" 3U rack mount

COMPLIANCES

UL and cUL

Load Carrying Capacity: 15 kg

Surface Treatment: Fosfat coating

Painting: Ral7035 / Ral9005

STANDARDS

ISO 9001:2000

TSE:EN 61587-1 Mechanical Structures For Electronic Equipment - Tests For IEC 60917 And IEC 60297

Climatic and Environment: EN 61587-1/4.2, IEC60068-2-1, IEC60068-2-2, IEC60068-2-30,

Flammability: EN61587-1/6.3

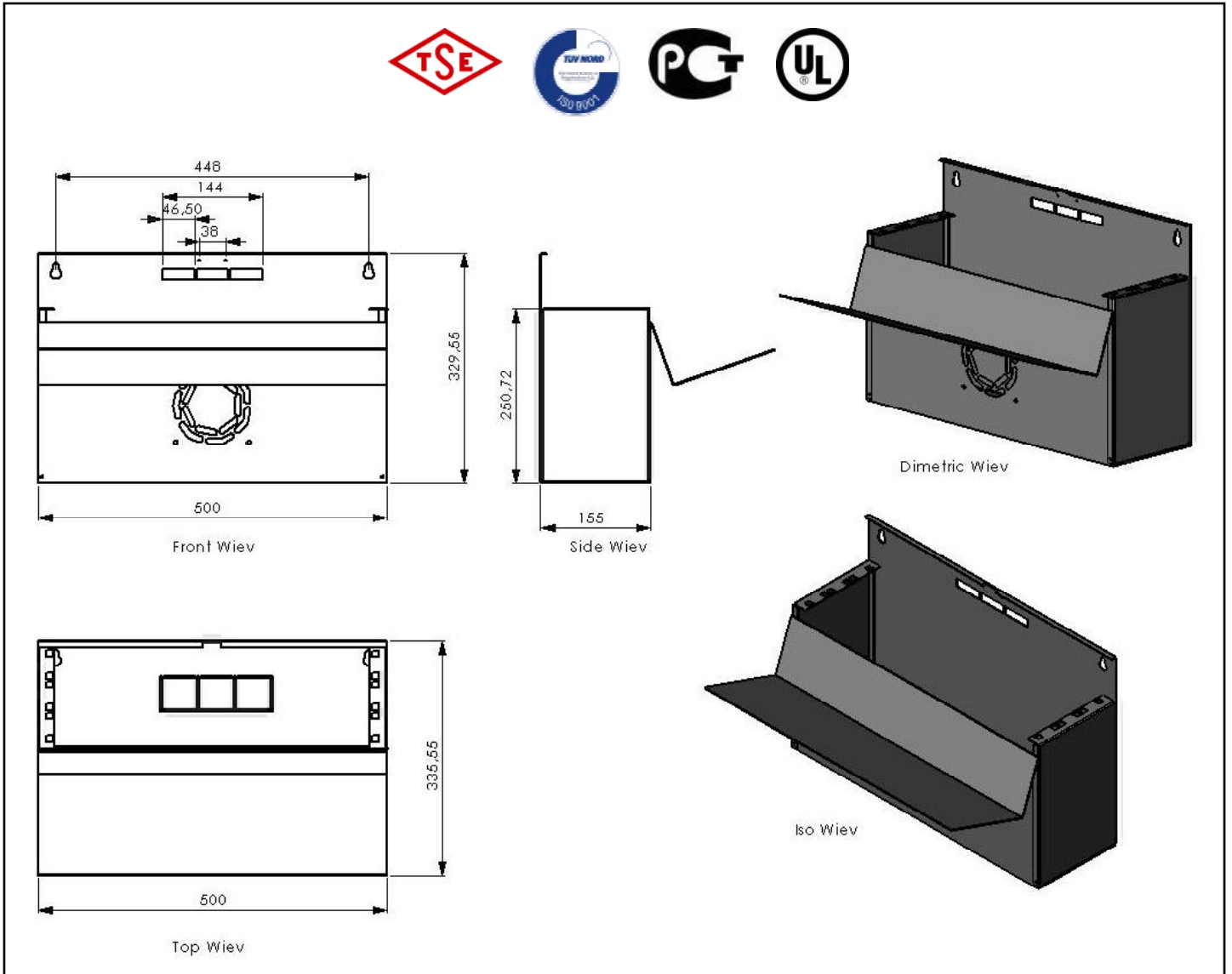
Degrees Of Protection Provided By Enclosures (Ip Code): IP20 or IP55, EN61587-1/6.4

Material Definition and Properties , Thicknesses and Shipment Configuration

Part Definition	Material thickness	Material definition & properties	Shipment Configuration
Fan Cover	1,5 mm	DIN EN 10130 - 99 EREGLI DC-01 6112 CRS	1ea.
Main Body	1,5 mm	DIN EN 10130 - 99 EREGLI DC-01 6112 CRS	1ea.
Front Panel	1,2 mm	DIN EN 10130 - 99 EREGLI DC-01 6112 CRS	1ea.
Door Hinge	1,0 mm	DIN EN 10130 - 99 EREGLI DC-01 6112 CRS	1ea.
Side Panel	1,5 mm	DIN EN 10130 - 99 EREGLI DC-01 6112 CRS	1ea.

19" Wall Mounting Patchbox

TECHNICAL DRAWINGS



19" Wall Mounting Patchbox	
Order No	Product Definition
M52PBX3U	3U 19" Wall Mounting PATCHBOX

Shipping Data				
Order No	Quantity	Shipping Dimension (palette) WxHxD	Net Weight (kg)	Gross Weight (kg)
M52PBX3U	3	540x440x490	22,59	25,00