



ESTAP ECO+ECO 19" wall mounting cabinets provide an economic solution cabling installations. This series is a range of wall mounted or/and free standing enclosures used in offices for horizontal segments where a reduced amount of U height is required. Again the aesthetics creating a pleasing and professional look. Attention to styling with light grey Ral7035 with left and right metal frames mean that cabinets can be deployed in the most demanding of office environments when looks really matter. Front door frames is available with decorative trim or customized as orange blue, green, light blue, red. Optimal mounting, hinging and panel mounting arrangements create a variety of equipment mounting an access arrangements. This allow the ECO +ECO to be used in almost all locations. Completely standart ECO+ECO wall mounting cabinet is delivered as a single enclosure and assembled. Wall mounted cabinets could be used as free standing by using accessories castor or levelling feet under a table or in any enviroment.

## 19" ECO+ECO wall mounting cabinets



Depth= 450mm



Depth= 560mm

### FEATURES

#### EASY TO ACCESS

Front door features a full-lenght smoked and shatterproof glass door with decorative accent trim reinforced with left/right metal rames and integral locking mechanism.  
Side doors; lockable, removable complete with a locks.  
Rear door; mechanically lockable, removable it is used as mounting plate at the same time. When mounting the enclosure, rear door is removed and mounted directly to wall and enclosure plug-in to the rear door. It's benefits that, straight on wall, fast installation, low manpower, save time and cost-effective solution. All giving you 4-way access to equipment.

#### CABLE ACCESS

Multiple cable entry points on top (1ea) and bottom(1ea), provide maximum versatility. One of them is a rubberedge sliding cover mechanism that protects and fix the cables, On the rear door, there is also a cable entry hole closed with cover. Other one is plastic cover. When it is used, it is replaced with on of top/bottom rubber edge sliding cover mechanism.

#### CONSTRUCTION

Rigid welded frame construction is in steel sheet. Non-opening side panels give extra stability .Vented top cover provide passive heat transportation via convection. There are vented fan holes suitable for cooling unit. (see accessories) 19» mounting angles (front/2ea.) allow for fleible configuration and adjustable in depth. Extensive range of accessories Front door features a full-lenght smoked and shatterproof glass door with decorative accent trim reinforced with left/right metal rames and integral locking mechanism.  
Side doors; lockable, removable complete with a locks.  
Rear door; mechanically lockable, removable it is used as mounting plate at the same time. When mounting the enclosure, rear door is removed and mounted directly to wall and enclosure plug-in to the rear door. It's benefits that, straight on wall, fast installation, low manpower, save time and cost-effective solution. All giving you 2-way access to equipment.

### STANDARDS

ISO 9001:2000  
TSE:EN 61587-1 Mechanical Structures For Electronic Equipment - Tests For IEC 60917 And IEC 60297  
**Climatic and Environment:** EN 61587-1/4.2,IEC60068-2-1 , IEC60068-2-2 , IEC60068-2-30,  
**Static Mechanical Load Lifting:** EN61587-1/5.2.1  
**Static Mechanical Load Stiffness:** EN61587-1/5.2.2  
**Dynamic Mechanical Load Vibration and Shock, Impact:** EN61587-1/5.3.1,EN61587-1/5.3.3,IEC60068-2-6, IEC60068-2-27,  
**Earth Bond:** EN61587-1/6.2  
**Flammability:** EN61587-1/6.3  
**Degrees Of Protection Provided By Enclosures (Ip Code):** IP20 or IP55 ,EN61587-1/6.4

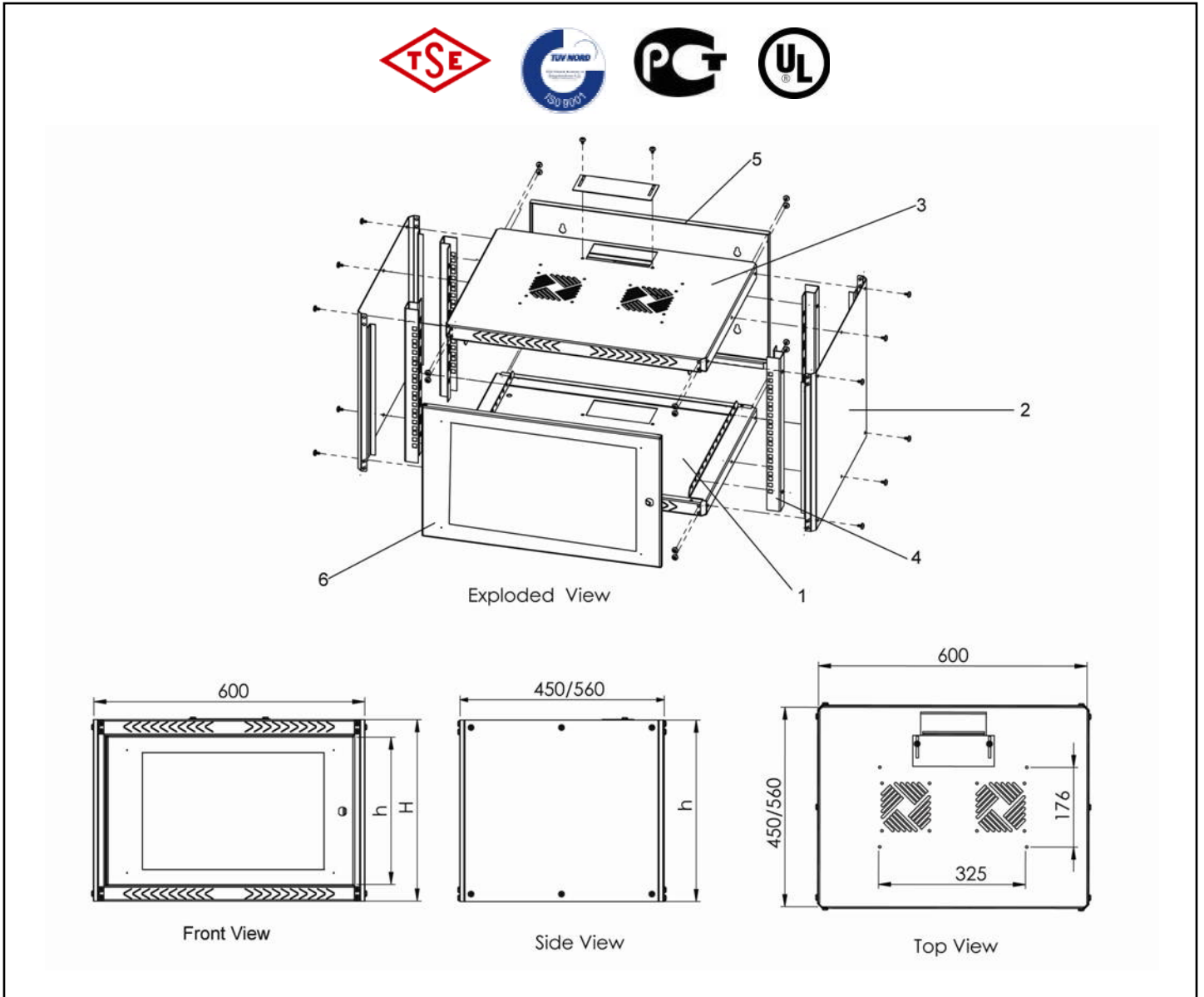
### COMPLIANCES

UL and cUL  
**Load Carrying Capacity:** 60 kg  
**Surface Treatment:** Fosfat coating  
**Painting:** Ral7035

Material Definition and Properties, Thicknesses and Shipment Configuration			
Part Definition	Material thickness	Material definition & properties	Shipment Configuration
Upper Case	1,00 mm	DIN EN 10130 - 99 EREGLI DC-014 6112 CRS	1ea.
Bottom Case	1,00 mm	DIN EN 10130 - 99 EREGLI DC-014 6112 CRS	1ea.
Front Door	1,20 mm	DIN EN 10130 - 99 EREGLI DC-014 6112 CRS	1ea.
19" mounting angles cabinet depth=450mm	1,50 mm	DIN EN 10130 - 99 EREGLI DC-014 6112 & GALVANIZED COATING	2ea. at front
19" mounting angles for 12U,16U,20U,22U,26U cabinet depth = 560 mm	1,50 mm	DIN EN 10130 - 99 EREGLI DC-014 6112 & GALVANIZED COATING	4ea. ( 2ea. at front , 2ea. at rear )
Rear Door	1,50 mm	DIN EN 10130 - 99 EREGLI DC-014 6112 CRS	1ea.
Side Panels	1,00 mm	DIN EN 10130 - 99 EREGLI DC-014 6112 CRS	2ea.

# 19" ECO+ECO wall mounting cabinets (450x600 mm)

## TECHNICAL DRAWINGS

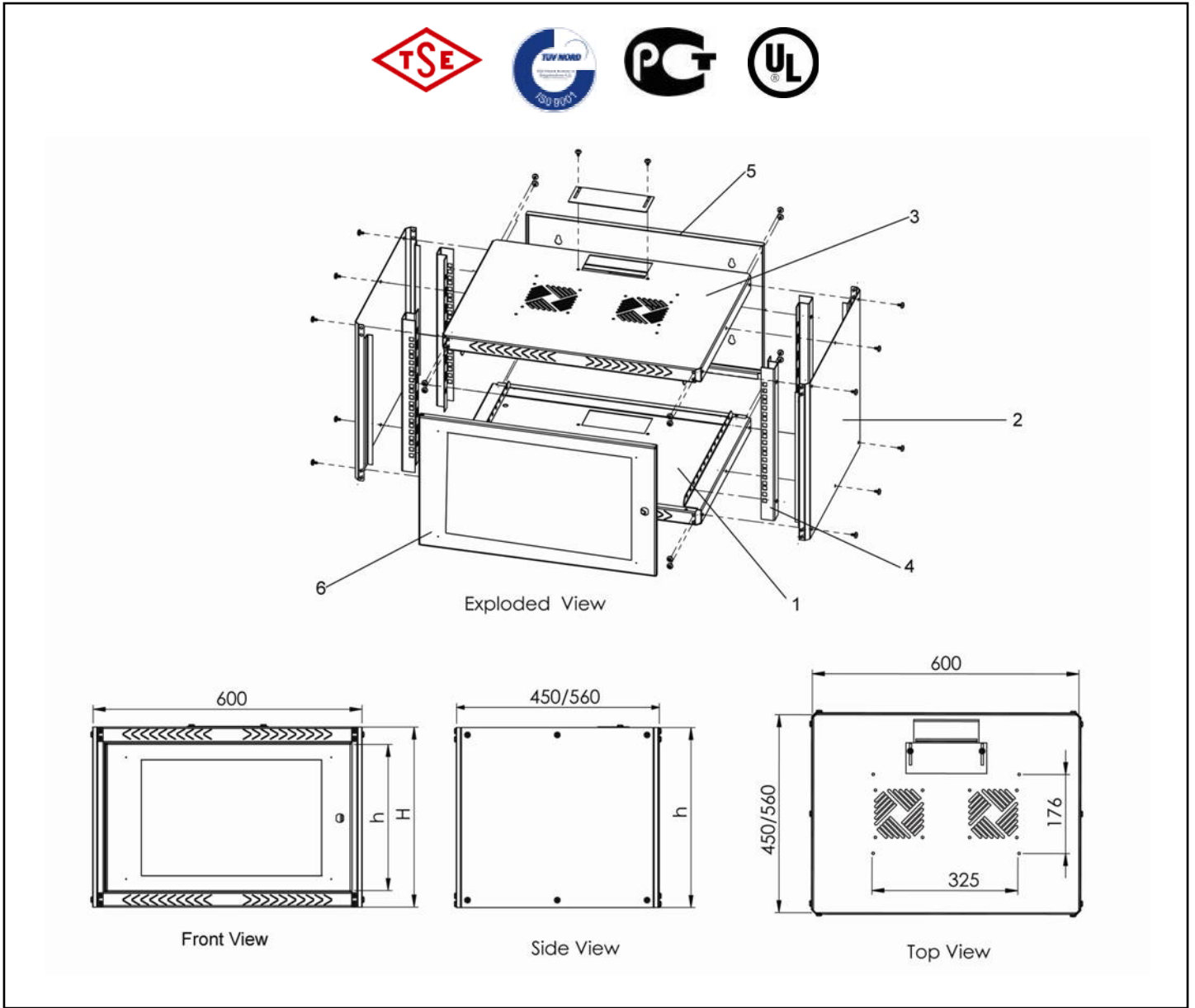


19" Eco + Eco Wall Mounting Cabinets width=450mm depth=600mm			
Order No	U =44.45 (mm)	h = inside height(mm)	H = outside height(mm)
ES.6407 450	7	333	402
ES.6409 450	9	422	491
ES.6412 450	12	555	624
ES.6416 450	16	733	802
ES.6420 450	20	911	980
ES.6422 450	22	999	1068
ES.6426 450	26	1176	1245

Shipping Data						
Order No	Quantity	Shipping Dimension (palette) WxDxH	Net Weight (kg)	Gross Weight (kg)	Shipping configuration depth (mm)	Max 19" depth
ES.6407 450						370
ES.6409 450						370
ES.6412 450						370
ES.6416 450						370
ES.6420 450						370
ES.6422 450						370
ES.6426 450						370

# 19" ECO+ECO wall mounting cabinets (600x600 mm)

## TECHNICAL DRAWINGS



19" Eco + Eco Wall Mounting Cabinets width=600mm depth=600mm			
Order No	U =44.45 (mm)	h = inside height(mm)	H = outside height(mm)
ES.6607 600	7	333	402
ES.6609 600	9	422	491
ES.6612 600	12	555	624
ES.6616 600	16	733	802
ES.6620 600	20	911	980
ES.6622 600	22	999	1068
ES.6626 600	26	1176	1245

Shipping Data						
Order No	Quantity	Shipping Dimension (palette) WxDxH	Net Weight (kg)	Gross Weight (kg)	Shipping configuration depth (mm)	Max 19" depth
ES.6607 600						520
ES.6609 600						520
ES.6612 600						520
ES.6616 600						520
ES.6620 600						520
ES.6622 600						520
ES.6626 600						520