

19" Relayrack / Double Frame d=800 mm / d=1000 mm



FEATURES

RELAYrack - 2 and 4 post racks

Network

Applications

Vertical cable management panel with cover

It is used for hiding and protecting networking cable bundles. It can be easily fix to 4post or 2 post racks, left and/or right sides.

It is vertical along the rack and have hole for cable entries and pass.

It is designed for server/PC storage and shelving. Managing all devices and server brings a professional look and it is functional to access all the way of racks.

It is easy to maintenance. All 4 post racks can be bayed side by side.

It is also be used for device console or device storage rack.

Depth 1000 racks match all features that have defined in the previous pages for RELAYRACKS.

It is used for server and device storage that are more deeper.

STANDARDS

ISO 9001:2000

TSE:EN 61587-1 Mechanical Structures For Electronic Equipment - Tests For IEC 60917 And IEC 60297

Climatic and Environment: EN 61587-1/4.2, IEC60068-2-1, IEC60068-2-2, IEC60068-2-30,

Static Mechanical Load Lifting: EN61587-1/5.2.1

Static Mechanical Load Stiffness: EN61587-1/5.2.2

Dynamic Mechanical Load Vibration and Shock, Impact:

EN61587-1/5.3.1, EN61587-1/5.3.3, IEC60068-2-6,

IEC60068-2-27,

Earth Bond: EN61587-1/6.2

Flammability: EN61587-1/6.3

Degrees Of Protection Provided By Enclosures (Ip Code):

IP20 or IP55, EN61587-1/6.4

COMPLIANCES

UL and cUL

Load Carrying Capacity: 300 kg

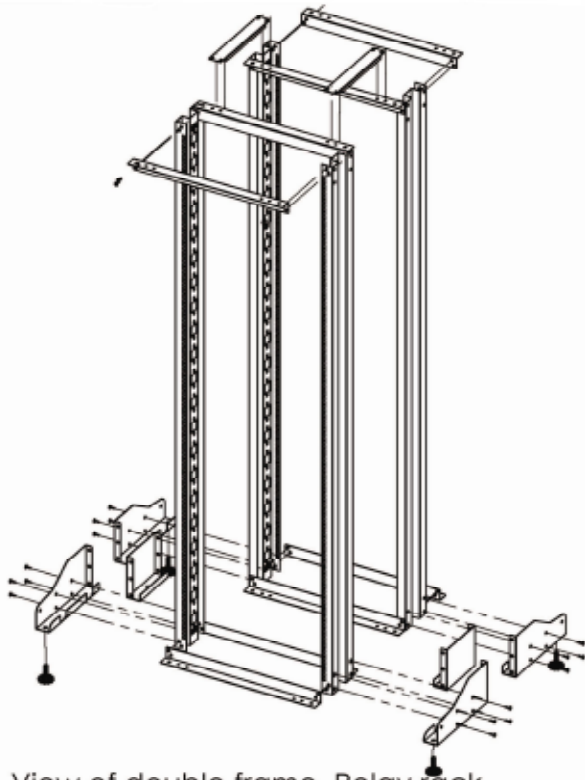
Surface Treatment: Fosfat coating

Material Definition and Properties, Thicknesses and Shipment Configuration

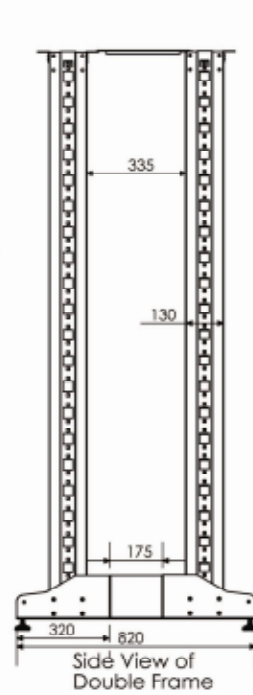
Part Definition	Material thickness	Material definition & properties	Shipment Configuration
Base	2,5 mm	DIN EN 10130 - 99 EREGLI DC-01 6112 CRS	4ea.
Horizontal Support	2,5 mm	DIN EN 10130 - 99 EREGLI DC-01 6112 CRS	8ea.
Vertical Support	2 mm	DIN EN 10130 - 99 EREGLI DC-01 6112 CRS	2ea.
D=800 Extension a Kit	2,5mm	DIN EN 10130 - 99 EREGLI DC-01 6112 CRS	2ea.
Frame	1,5 mm	DIN EN 10130 - 99 EREGLI DC-01 7122 CRS	4ea.

19" Relayrack d= 800mm

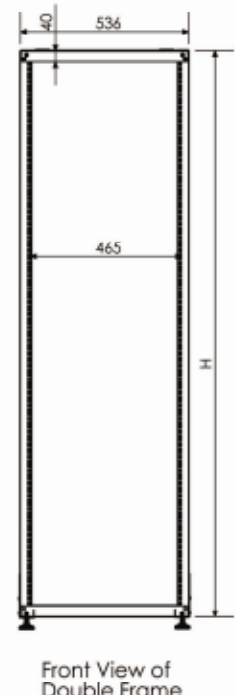
TECHNICAL DRAWINGS



View of double frame Relay rack



Side View of Double Frame



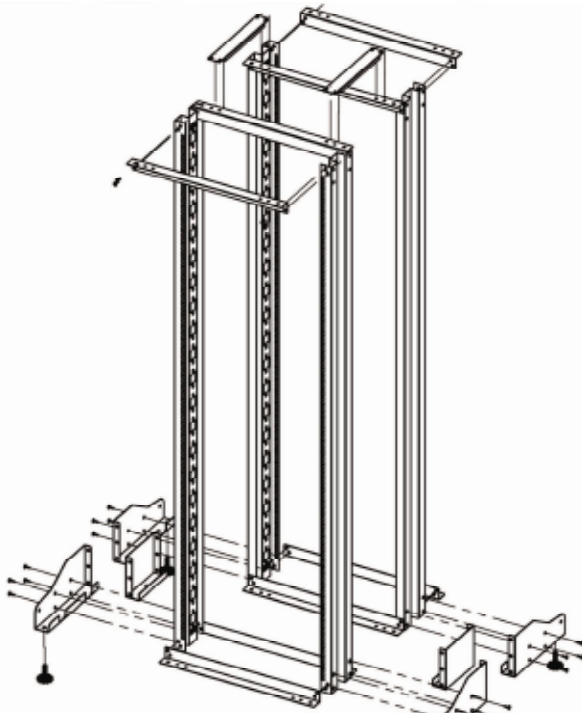
Front View of Double Frame

19" Relayrack Double Frame d=800 mm			
Order No	U=44.45 (mm)	h = inside height(mm)	H = outside height(mm)
MLRCK16D	16	714,40	825,60
MLRCK22D	22	981,10	1092,30
MLRCK26D	26	1158,90	1270,10
MLRCK36D	36	1603,40	1714,60
MLRCK42D	42	1870,10	1981,40
MLRCK48D	48	2136,80	2248,00
TOP COVER 66	optional	width=530 mm	depth=530mm
TOP COVER 68	optional	width=530 mm	depth=730mm

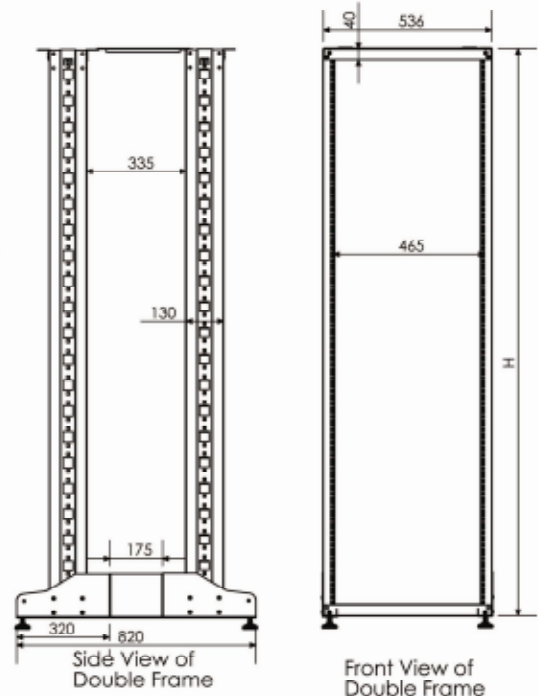
Shipping Data				
Order No	Quantity	Shipping Dimension (palette) WxHxD	Net Weight (kg)	Gross Weight (kg)
MLRCK16D	1	1,250x180x230	22,00	24,60
MLRCK22D	1	1,250x180x230	25,00	27,60
MLRCK26D	1	1,250x180x230	27,00	29,60
MLRCK36D	1	1,700x180x230	32,50	35,00
MLRCK42D	1	1,970x180x230	35,50	38,00
MLRCK48D	1	2,230x180x230	38,00	40,80
TOP COVER 66	1	440x550x53	3,70	4,00
TOP COVER 68	1	550x320x53	5,00	5,50

19" Relayrack d= 1000mm

TECHNICAL DRAWINGS



View of double frame Relay rack



Side View of Double Frame

Front View of Double Frame

19" Relayrack Double Frame d=1000 mm			
Order No	U =44.45 (mm)	h = inside height(mm)	H = outside height(mm)
MLRCK16U D100	16	714,40	825,60
MLRCK22U D100	22	981,10	1092,30
MLRCK26U D100	26	1158,90	1270,10
MLRCK36U D100	36	1603,40	1714,60
MLRCK42U D100	42	1870,10	1981,40
MLRCK48U D100	48	2136,80	2248,00
TOP COVER 100	optional	width=530 mm	depth=830mm

Shipping Data				
Order No	Quantity	Shipping Dimension (palette) WxHxD	Net Weight (kg)	Gross Weight (kg)
MLRCK16D				
MLRCK22D				
MLRCK26D	1	1,250x180x230	28,00	29,80
MLRCK36D	1	1,700x180x230	33,00	35,50
MLRCK42D	1	1,970x180x230	36,60	39,00
MLRCK48D	1	2,230x180x230	39,00	42,00
TOP COVER 100	1	550x740x53	5,80	6,50