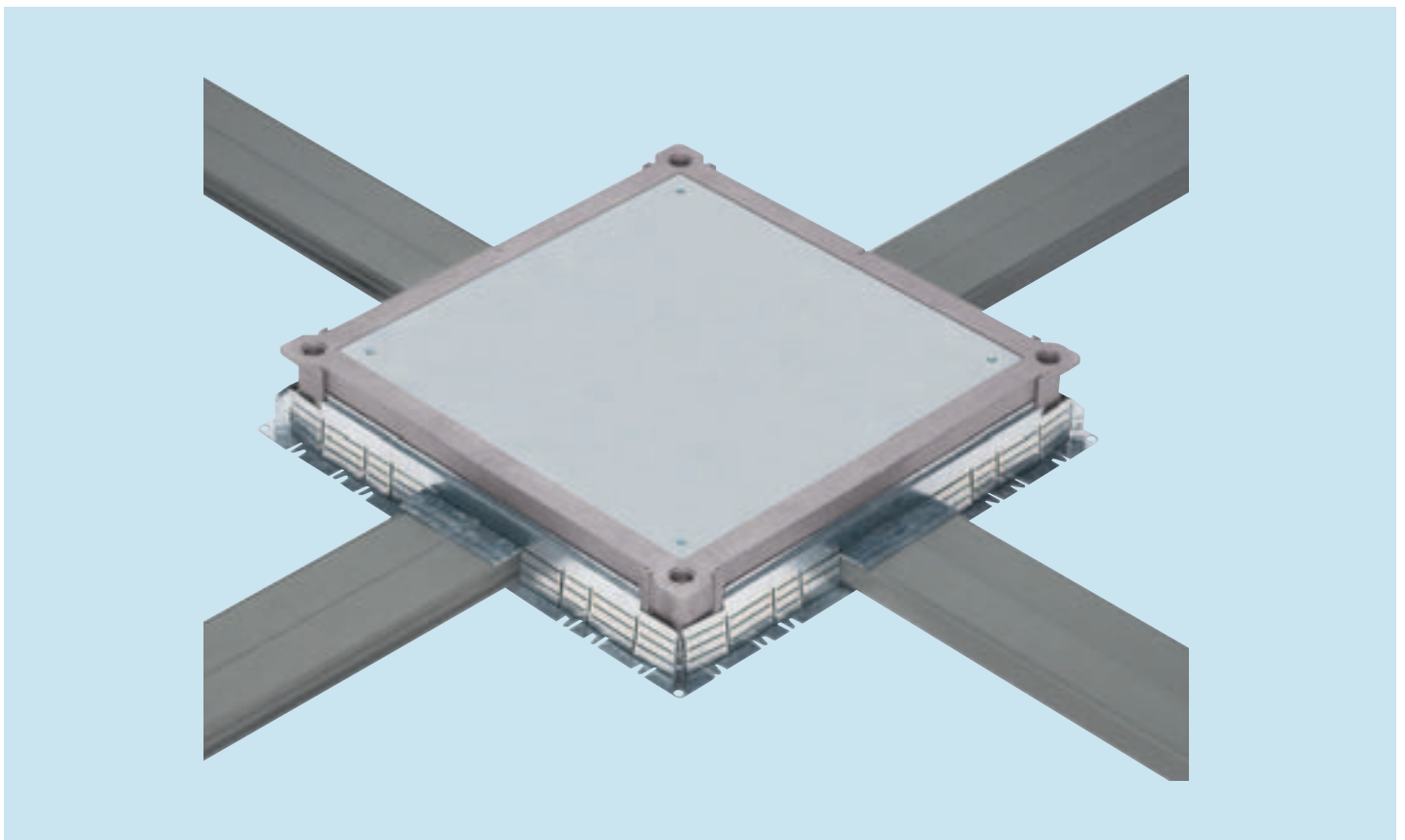


A concrete solution !

Whatever your design, the combination of floor ducting and metal underfloor boxes covers all your requirements for layout and access



> PVC floor duct: IP 40 - IK 08

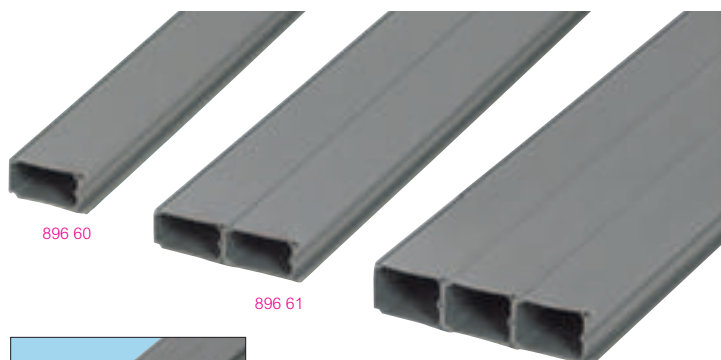
Floor duct can be fitted side by side by clipping

> Metal underfloor box: for current junctions and flush-mounting of floor boxes

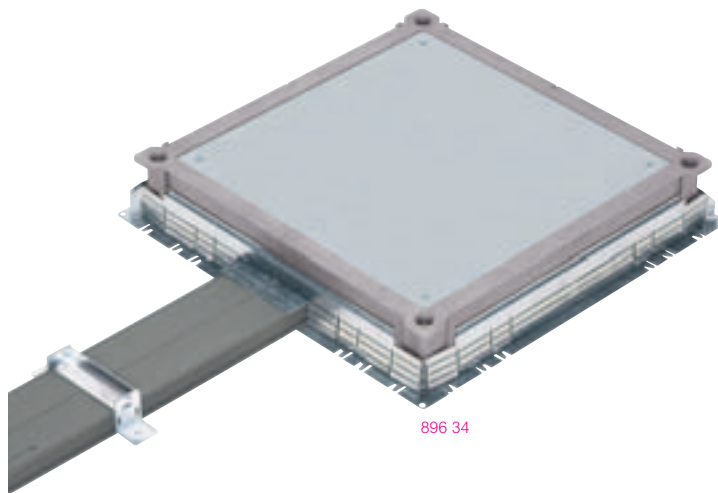
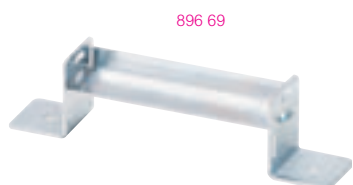
NEW

PVC floor duct for concrete

metal underfloor boxes for concrete

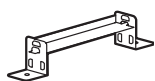


Snapfitting of sections
Cat.No 896 61 with
Cat.No 896 60



Pack	Cat.Nos	PVC floor duct
		IP 40 - IK 08 For distributing LV and ELV cabling in concrete floor installations Combines with metal underfloor boxes for cable junction or floor box installation Length: 2 m Can be joined to make the number of compartments required (for immediate use or standby)
		Height 28 mm
16 ⁽¹⁾	896 60	50 x 28 mm with 1 compartment
12 ⁽¹⁾	896 61	100 x 28 mm with 2 compartments
14 ⁽¹⁾	896 62	150 x 28 mm with 3 compartments
6 ⁽¹⁾	896 63	200 x 28 mm with 4 compartments
		Height 38 mm
12 ⁽¹⁾	896 67	50 x 38 mm with 1 compartment
16 ⁽¹⁾	896 68	100 x 38 mm with 2 compartments
10 ⁽¹⁾	896 69	150 x 38 mm with 3 compartments
8 ⁽¹⁾	896 70	200 x 38 mm with 4 compartments

Pack	Cat.Nos	Fixing / coupling accessories
		For fixing floor ducts on floor and junction between ducts
5	896 74	For duct width 100 mm
5	896 75	For duct width 150 mm
5	896 76	For duct width 200 mm
5	896 77	For duct width 250 mm
5	896 78	For duct width 300 mm



Pack	Cat.Nos	Metal underfloor box
		For junction of LV and ELV cabling and/or installation of floor boxes (see p. 742) Height adjustable from 56 mm to 140 mm using 4 inserts located in the box corners and a tool adapting to electric drill or screwdriver The bendable side walls for joining with different sizes of floor ducts Supplied with worksite protection cover to be replaced by blanking cover plate or mounting cover plate for floor boxes
1	896 34	Box Universal box
		Cover plates Thickness 3 mm
5	896 35	Blanking cover plates for simple junction
5	896 36	Mounting cover plate for floor boxes 12 modules, or floor boxes with reduced height 10 modules
5	896 37	Mounting cover plate for floor boxes 18 modules
5	896 38	Mounting cover plate for floor boxes 24 modules, or floor boxes with reduced height 16 modules

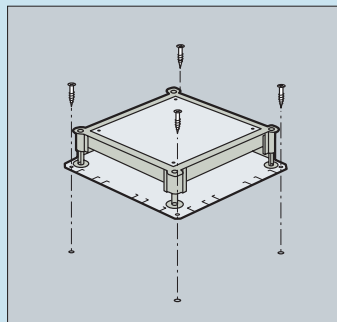
Floor boxes (p. 742, 743)

Plastic boxes for flexible conduits (p. 743)

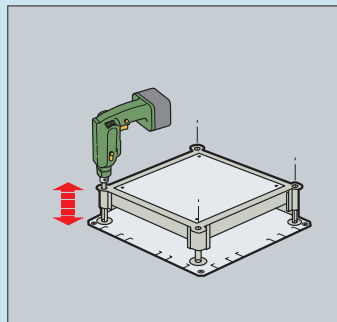
(1) Number of metres contained in pack

PVC floor duct and underfloor box for concrete

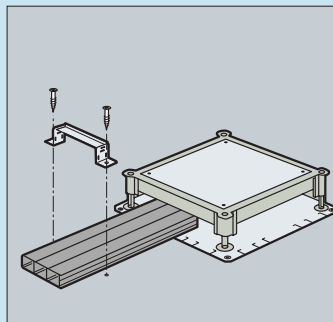
■ Installation principle



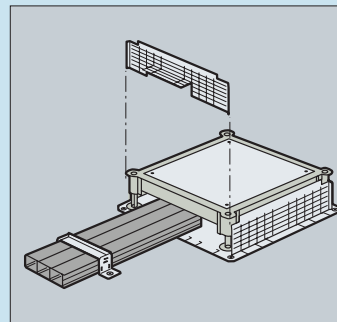
Underfloor box fixing



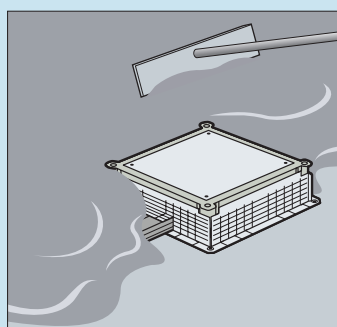
Height adjustment



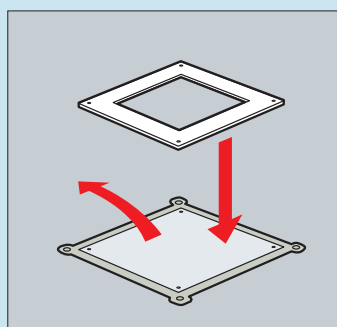
Placing the floor ducts



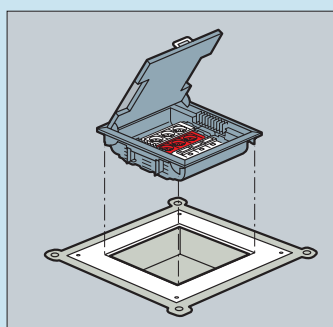
Placing the lateral sides



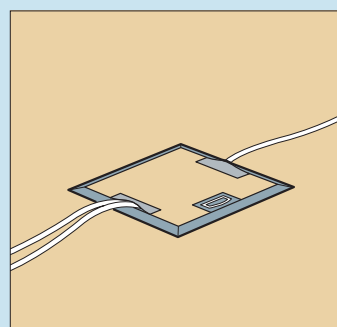
Pouring the concrete



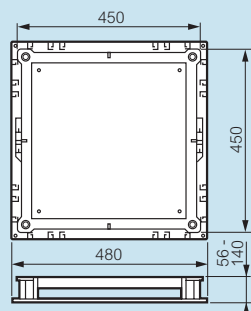
Cover change



Placing the floor box



■ Dimensions



■ Selection tables for mounting cover plate and floor box

Cover plate	For floor boxes	
	Adjustable height 75 to 105 mm	Reduced height 65 mm
896 36	12 modules 896 05/06/07	10 modules 896 20/21/22
896 37	18 modules 896 10/11/12	
896 38	24 modules 896 15/16/17	16 modules 896 25/26/27