

Vertical Cable Management Panels with cover – for 800x1000 ServerMAX



FEATURES

It is designed to manage 10 large patch cable bundles, data and energy cables at the rear of the cabinet.

It is installed through the cabinet height and each U dimension. There are holes to pass horizontal patch cables on the vertical axis.

Reduce %50 labour costs

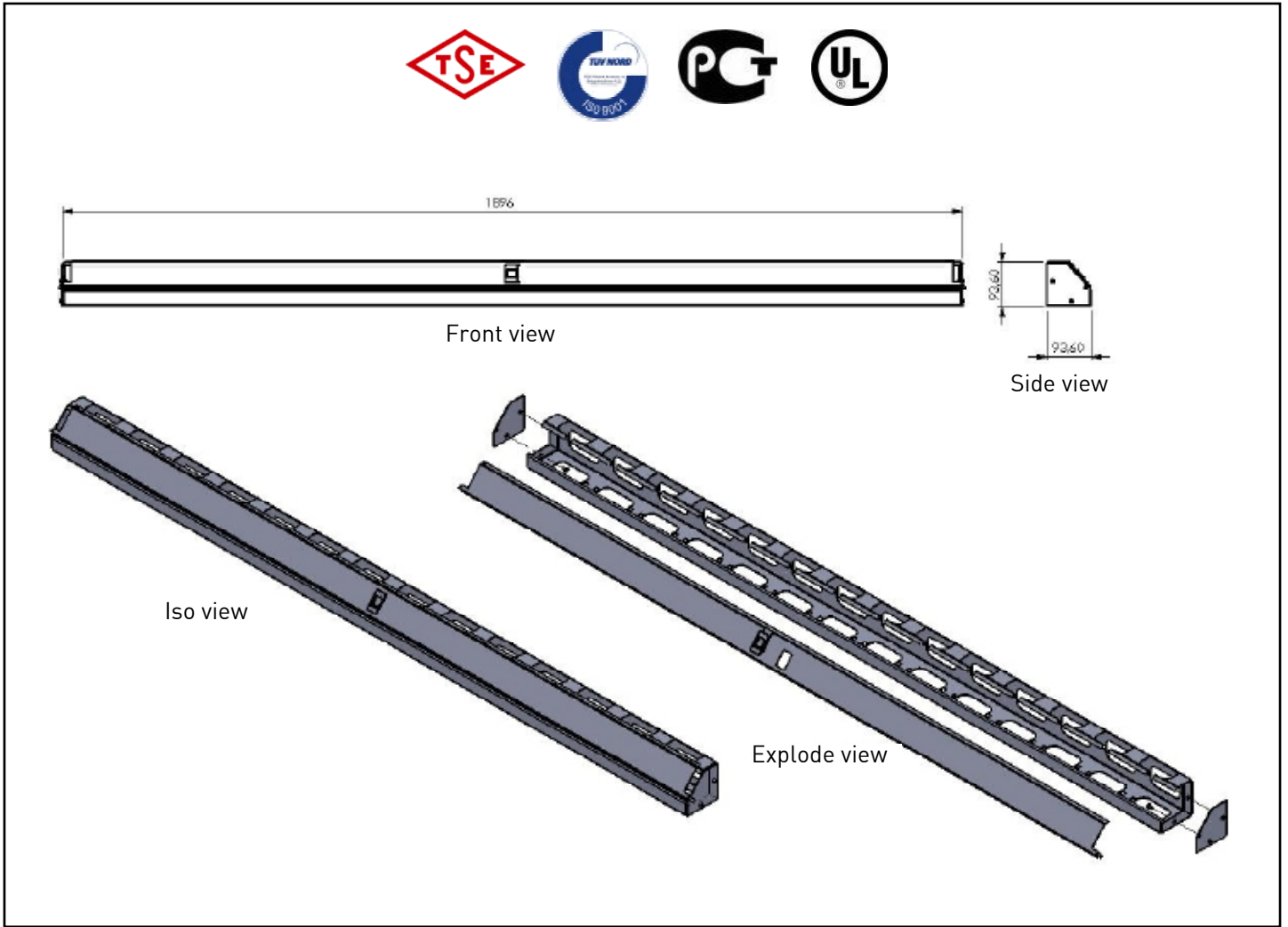
Colour: Ral7035 white or Ral9005 black Suitable to use with ServerMAX 800x1000

Material Definition and Properties, Thicknesses and Shipment Configuration

Part Definition	Material thickness	Material definition & properties	Shipment Configuration
Cable Management Body	1,5 mm	DIN EN 10130 - 99 EREGLI DC-01 6112 CRS	1 ea.
Cable Management Cover	1,5 mm	DIN EN 10130 - 99 EREGLI DC-01 6112 CRS	1 ea.
Fixing Part	1,5 mm	DIN EN 10130 - 99 EREGLI DC-01 6112 CRS	1 ea.

42U Vertical cable management panel with cover 800x1000 Servermax

TECHNICAL DRAWINGS

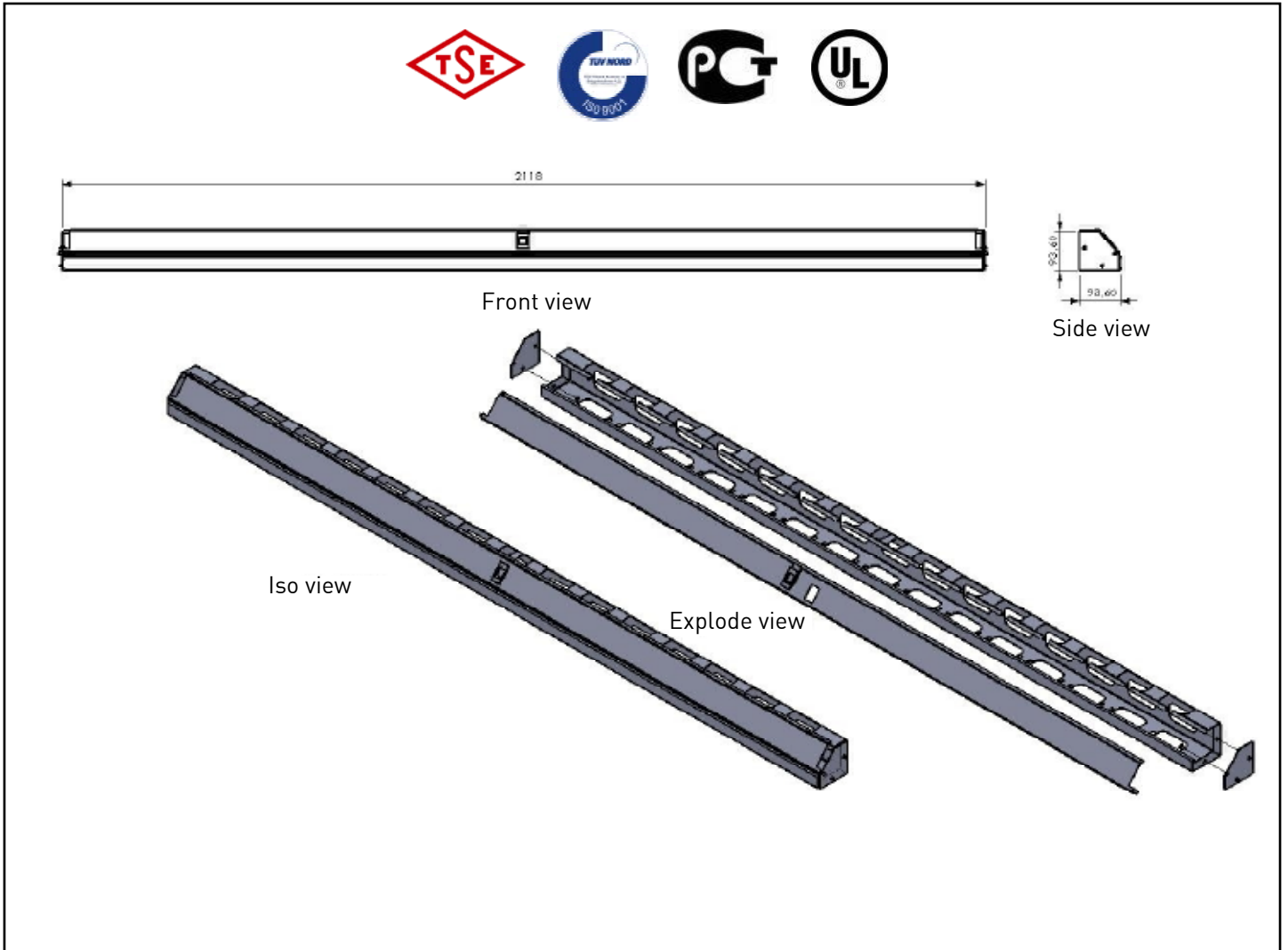


42U Vertical cable management panel with cover 800x1000 Servermax		
Order No	Product Definition	Dimensions (wxdxh) mm
M44ORG42SRV	42U Vertical cable management panel left/right=1 set	94x94x1896

Shipping Data				
Order No	Quantity	Shipping Dimension (palette) WxHxD	Net Weight (kg)	Gross Weight (kg)
M44ORG42SRV	1	1,970x180,150	13,900	15,200

47U Vertical cable management panel with cover 800x1000 Servermax

TECHNICAL DRAWINGS



47U Vertical cable management panel with cover 800x1000 Servermax		
Order No	Product Definition	Dimensions (wxdxh) mm
M44ORG47SRV	42U Vertical cable management panel left/right=1 set	94x94x2116

Shipping Data				
Order No	Quantity	Shipping Dimension (palette) WxHxD	Net Weight (kg)	Gross Weight (kg)
M44ORG42SRV	1	2,240x180x150	15,200	16,600