

Floor Fixing Kit



FEATURES

FEATURES

Floor fixing kit is used to fix the cabinet on floor . It protects the cabinet against to tilt . Easy to fix on floor and cabinet
Please choose one of them as below how it is used and fill the blank with letter ()

- (A) Cabinet with plinth
- (B) Cabinet with castor group
- (C) Cabinet with levelling feet
- (D) Without plinth,castor group,levelling feet. Directly to cabinet bottom case.

COMPLIANCES

UL and cUL

Surface Treatment : Fosfat coating

Painting : Ral7035 / Ral9005

STANDARDS

ISO 9001:2000

TSE:EN 61587-1 Mechanical Structures For Electronic Equipment - Tests For IEC 60917 And IEC 60297

Climatic and Environment:EN 61587-1/4.2,IEC60068-2-1 , IEC60068-2-2 , IEC60068-2-30,

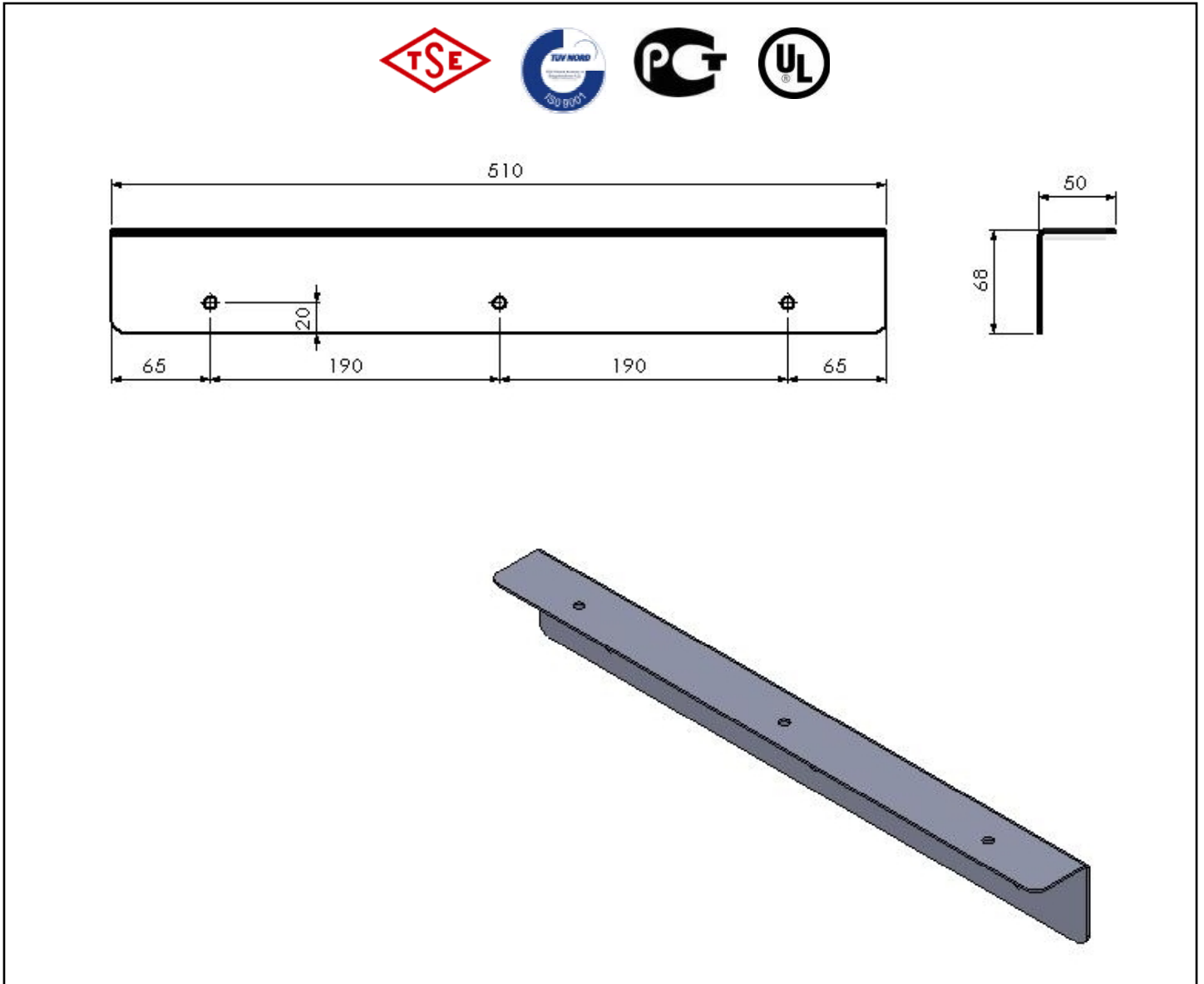
Flammability:EN61587-1/6.3

Material Definition and Properties, Thicknesses and Shipment Configuration

Part Definition	Material thickness	Material definition & properties	Shipment Configuration
Floor Fixing	3,00 mm	DIN EN 10130 - 99 EREGLI DC-01 6112 CRS	1ea.

Floor Fixing Kit W=600 mm Universalline

TECHNICAL DRAWINGS

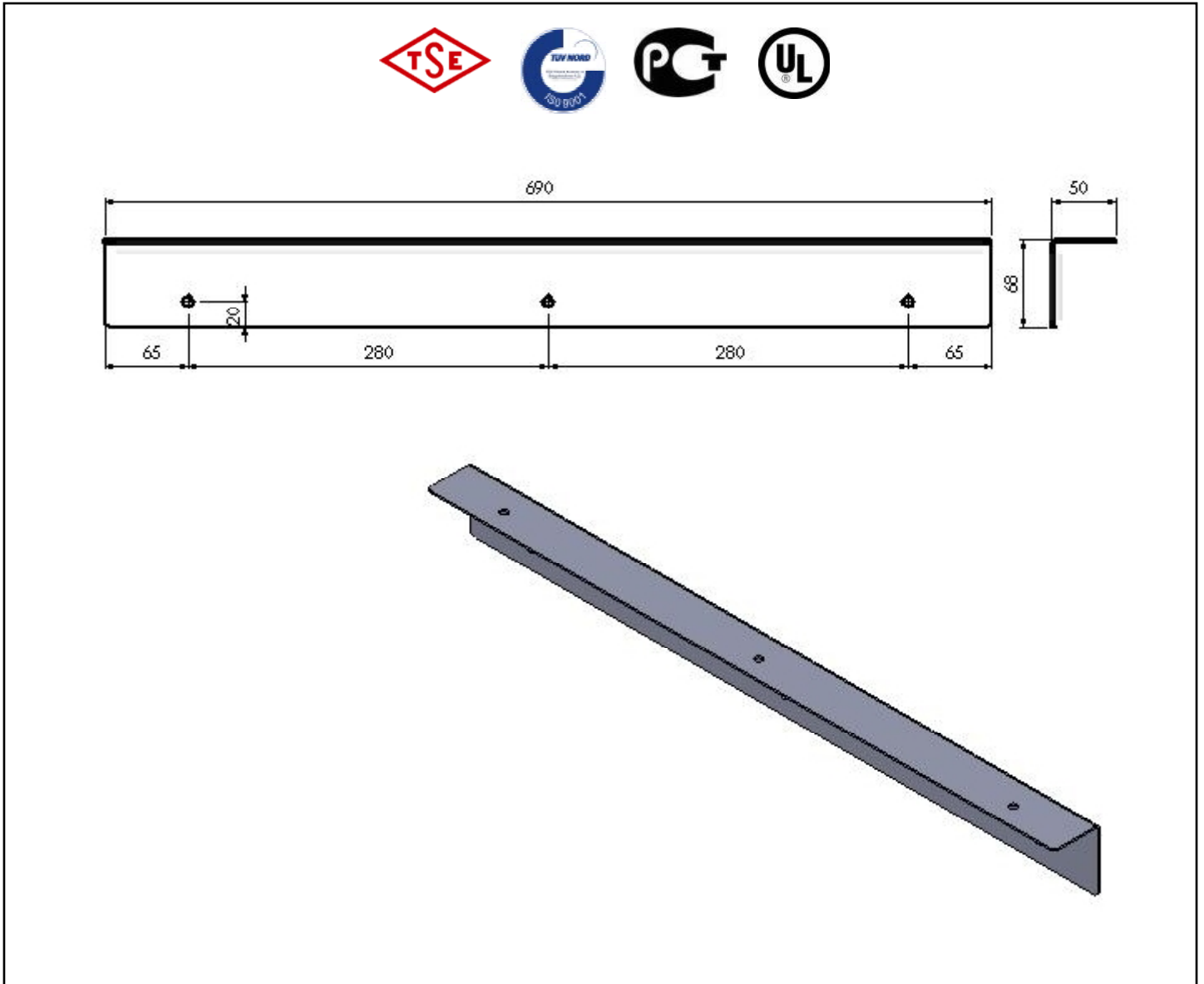


Floor Fixing Kit		
Order No	Product Definition	Dimensions (wxdxh) mm
M44DPR01[]	Floor fixing kit width=600 mm Universalline	W=600 mm

Shipping Data				
Order No	Quantity	Shipping Dimension (palette) WxHxD	Net Weight (kg)	Gross Weight (kg)
M44DPR01[]	1	615x130x80	4,100	4,830

Floor Fixing Kit W=800 mm Universalline

TECHNICAL DRAWINGS

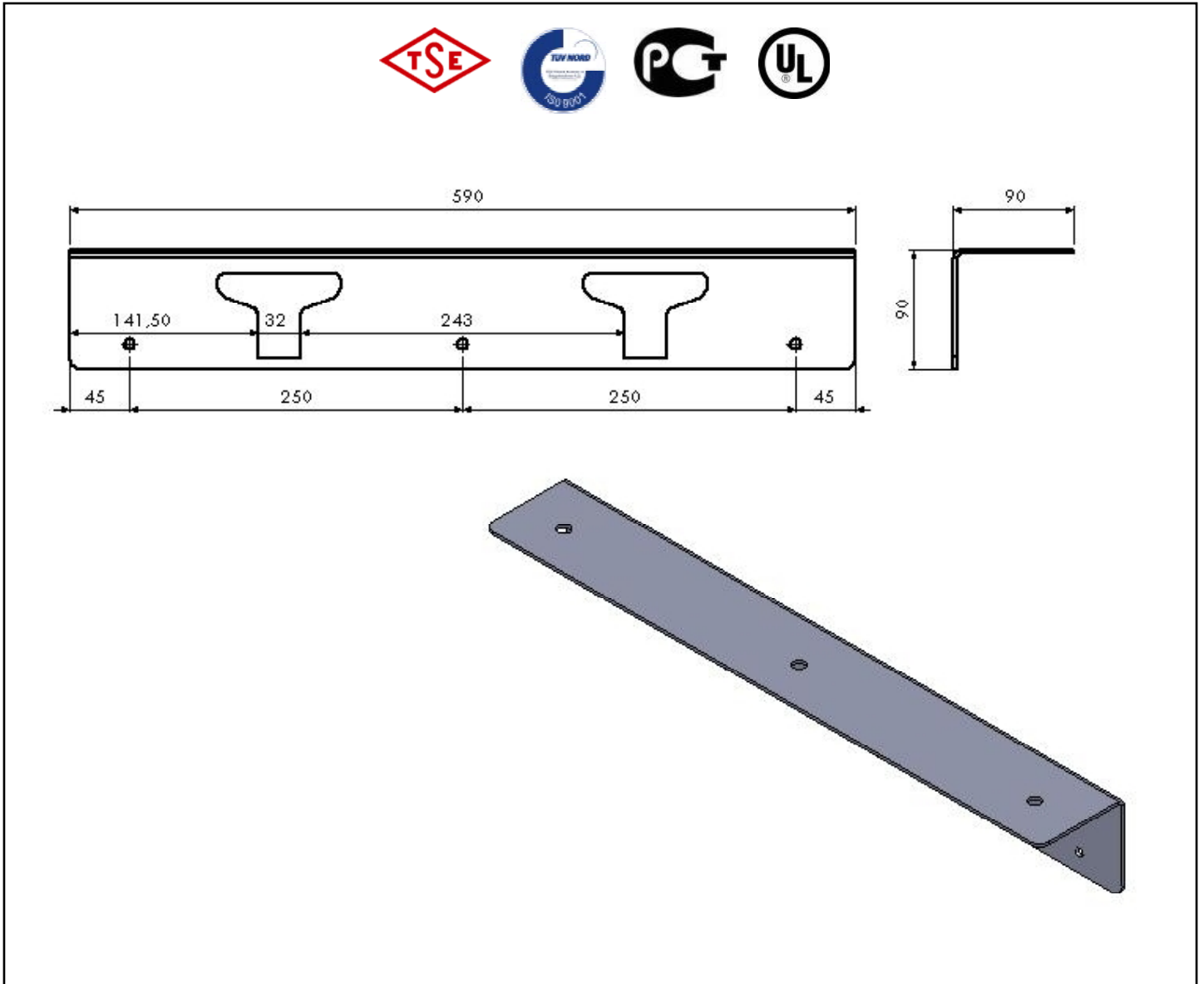


Floor Fixing Kit		
Order No	Product Definition	Dimensions (wxdxh) mm
M44DPR01[]	Floor fixing kit width=800 mm Universalline	W=800 mm

Shipping Data				
Order No	Quantity	Shipping Dimension (palette) WxHxD	Net Weight (kg)	Gross Weight (kg)
M44DPR01[]	1	800x135x75	4,768	5,568

Floor Fixing Kit W=600 mm Servermax and Diamond

TECHNICAL DRAWINGS

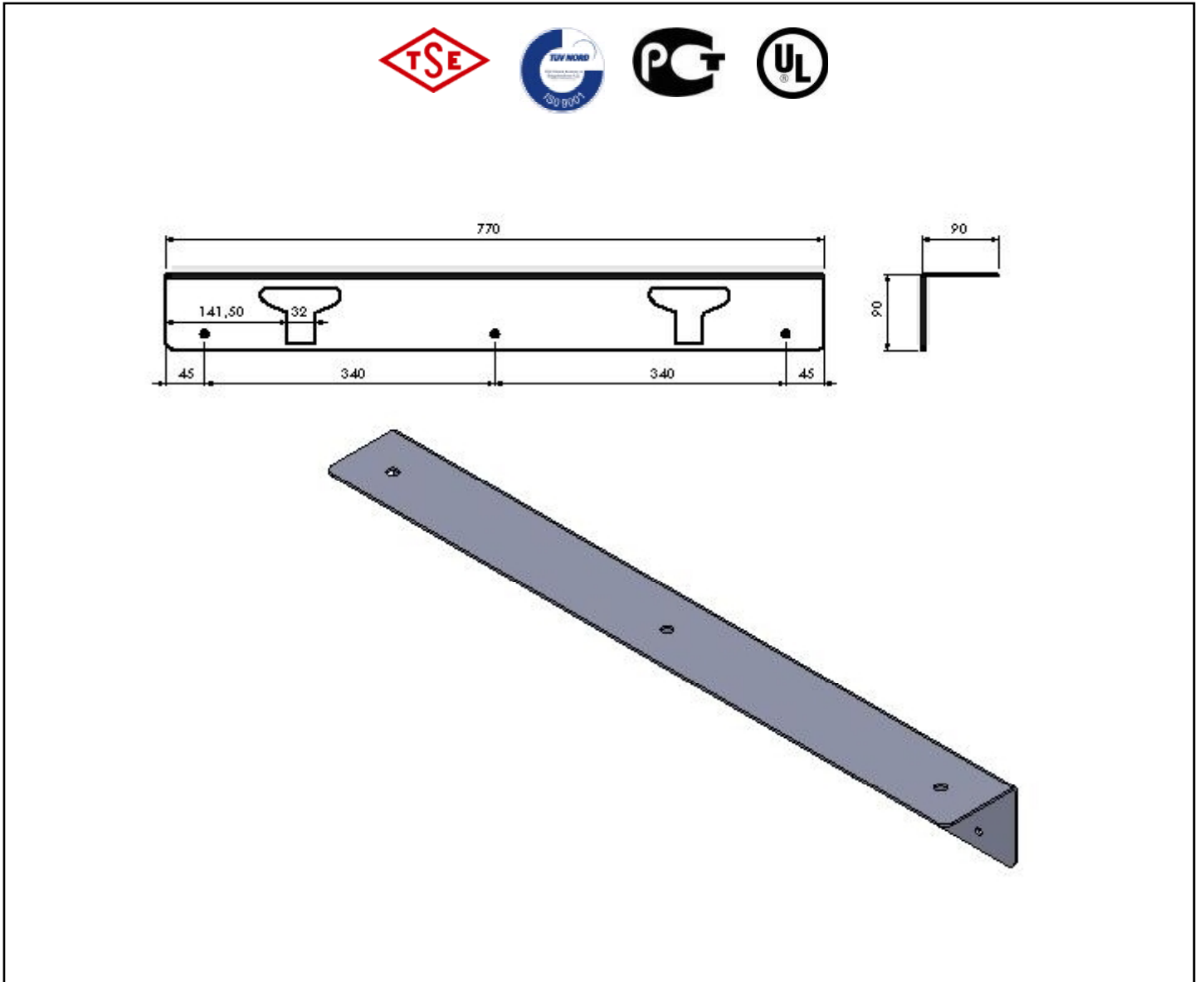


Floor Fixing Kit		
Order No	Product Definition	Dimensions (wxdxh) mm
M44DPR01[]	Floor fixing kit width=600 mm Servermax and Diamond	W=600 mm

Shipping Data				
Order No	Quantity	Shipping Dimension (palette) WxHxD	Net Weight (kg)	Gross Weight (kg)
M44DPR01[]	1	615x130x80	4,100	4,830

Floor Fixing Kit W=800 mm Servermax and Diamond

TECHNICAL DRAWINGS



Floor Fixing Kit		
Order No	Product Definition	Dimensions (wxdxh) mm
M44DPR01[]	Floor fixing kit width=800 mm Servermax and Diamond	W=800 mm

Shipping Data				
Order No	Quantity	Shipping Dimension (palette) WxHxD	Net Weight (kg)	Gross Weight (kg)
M44DPR01[]	1	800x130x75	4,768	5,568