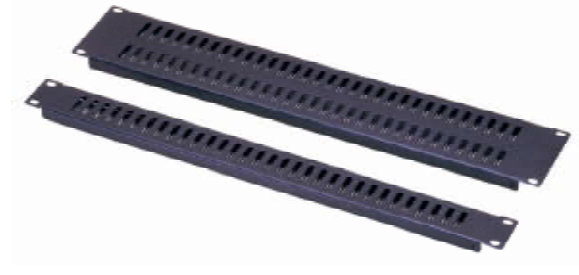


Blank Panels



FEATURES

Blank/blind panels are used to close empty position in the cabinet

COMPLIANCES

UL and cUL

Surface Treatment: Fosfat coating

Painting: Ral7035 / Ral9005

STANDARDS

ISO 9001:2000

TSE:EN 61587-1 Mechanical Structures For Electronic Equipment - Tests For IEC 60917 And IEC 60297

Climatic and Environment: EN 61587-1/4.2, IEC60068-2-1, IEC60068-2-2, IEC60068-2-30,

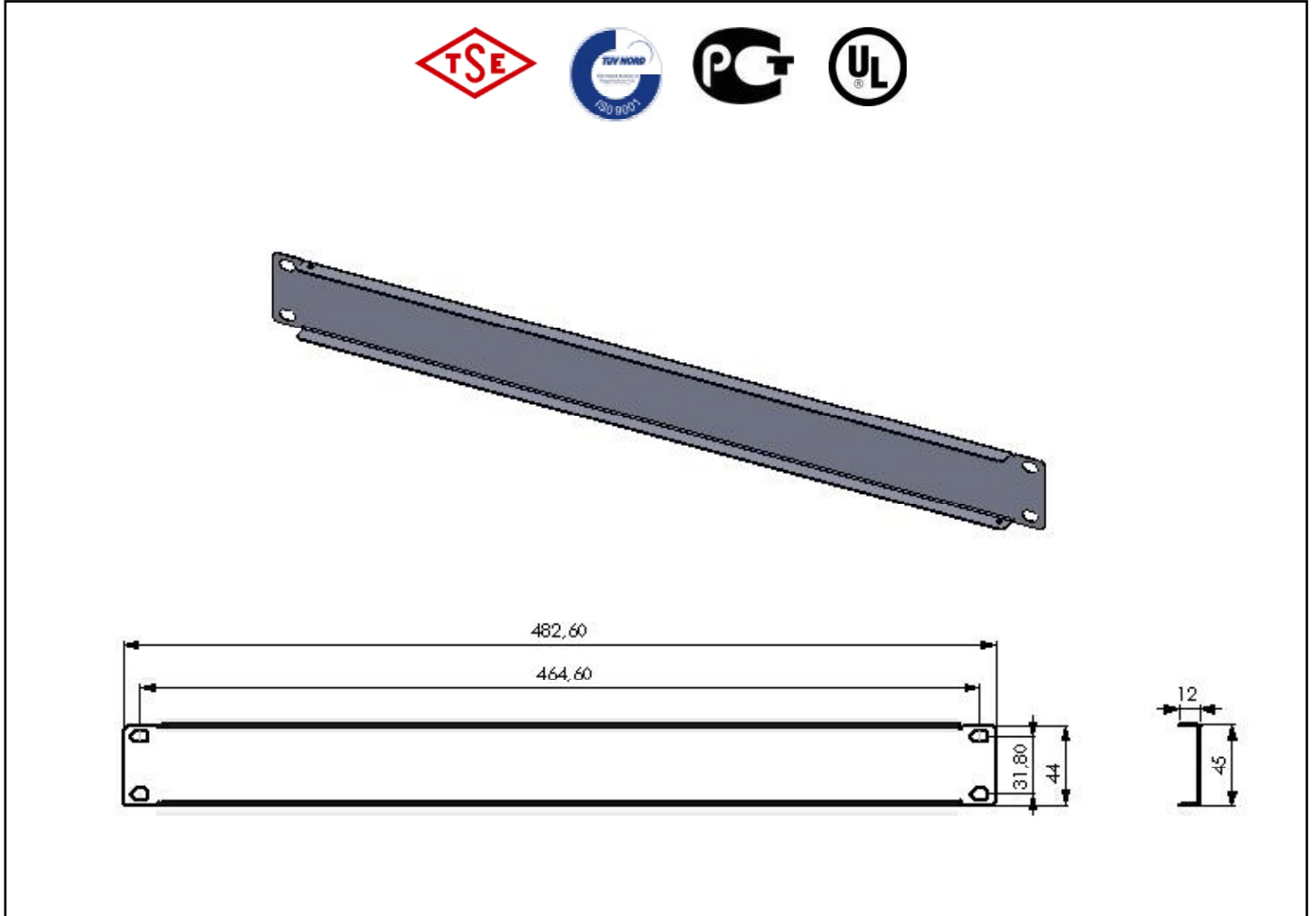
Flammability: EN61587-1/6.3

Material Definition and Properties, Thicknesses and Shipment Configuration

Part Definition	Material thickness	Material definition & properties	Shipment Configuration
Blank Panel	1,0 mm	DIN EN 10130 - 99 EREGLI DC-01 6112 CRS	1ea.

1U Blank Panel

TECHNICAL DRAWINGS

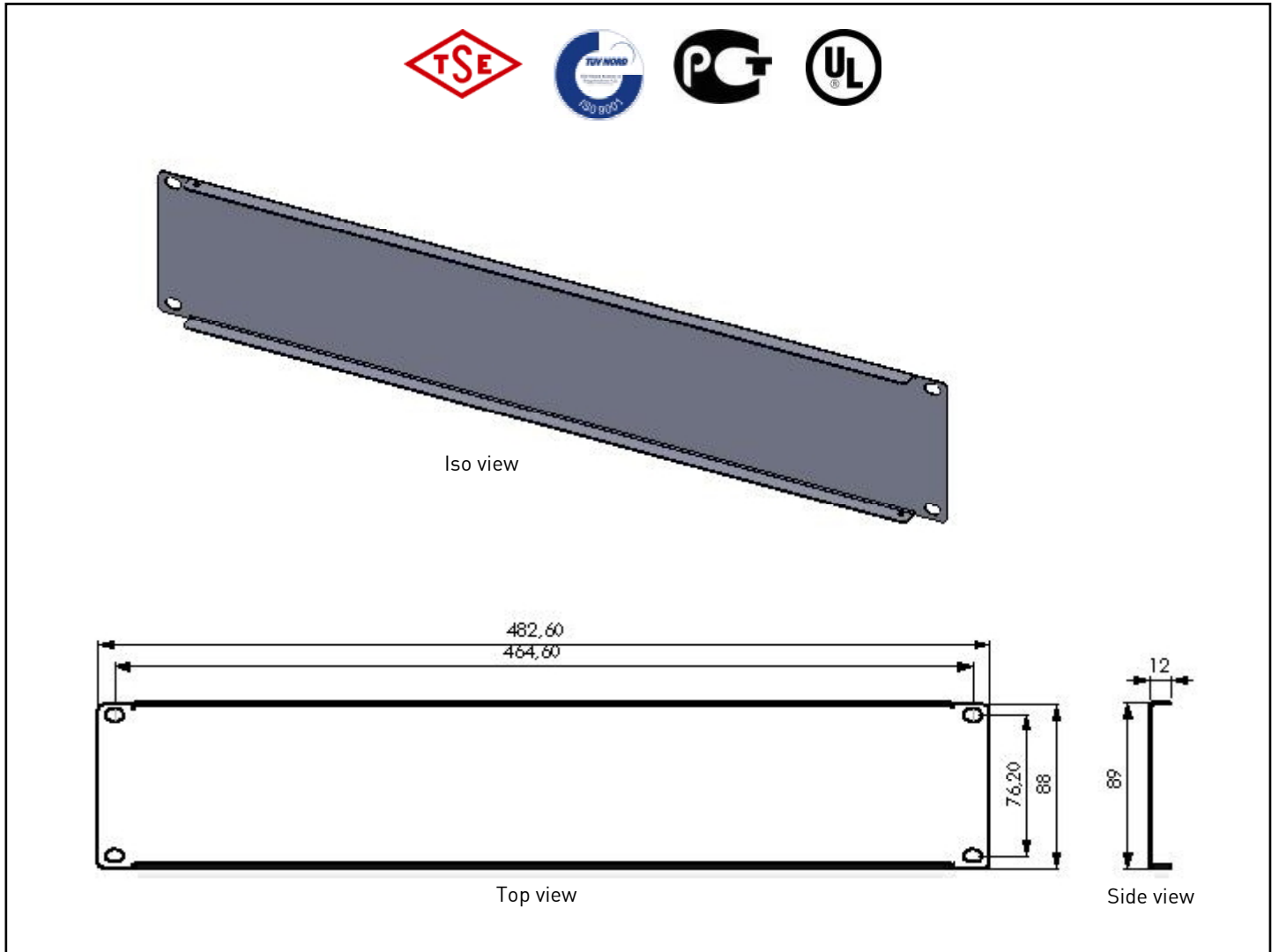


1U Blank Panels		
Order No	Product Definition	Dimensions (wxdxh) mm
E44BPN01	1U blank panel	483x12x44

Shipping Data				
Order No	Quantity	Shipping Dimension (palette) WxHxD	Net Weight (kg)	Gross Weight (kg)
E44BPN01	40	560x425x122	11,60	12,20

2U Blank Panel

TECHNICAL DRAWINGS

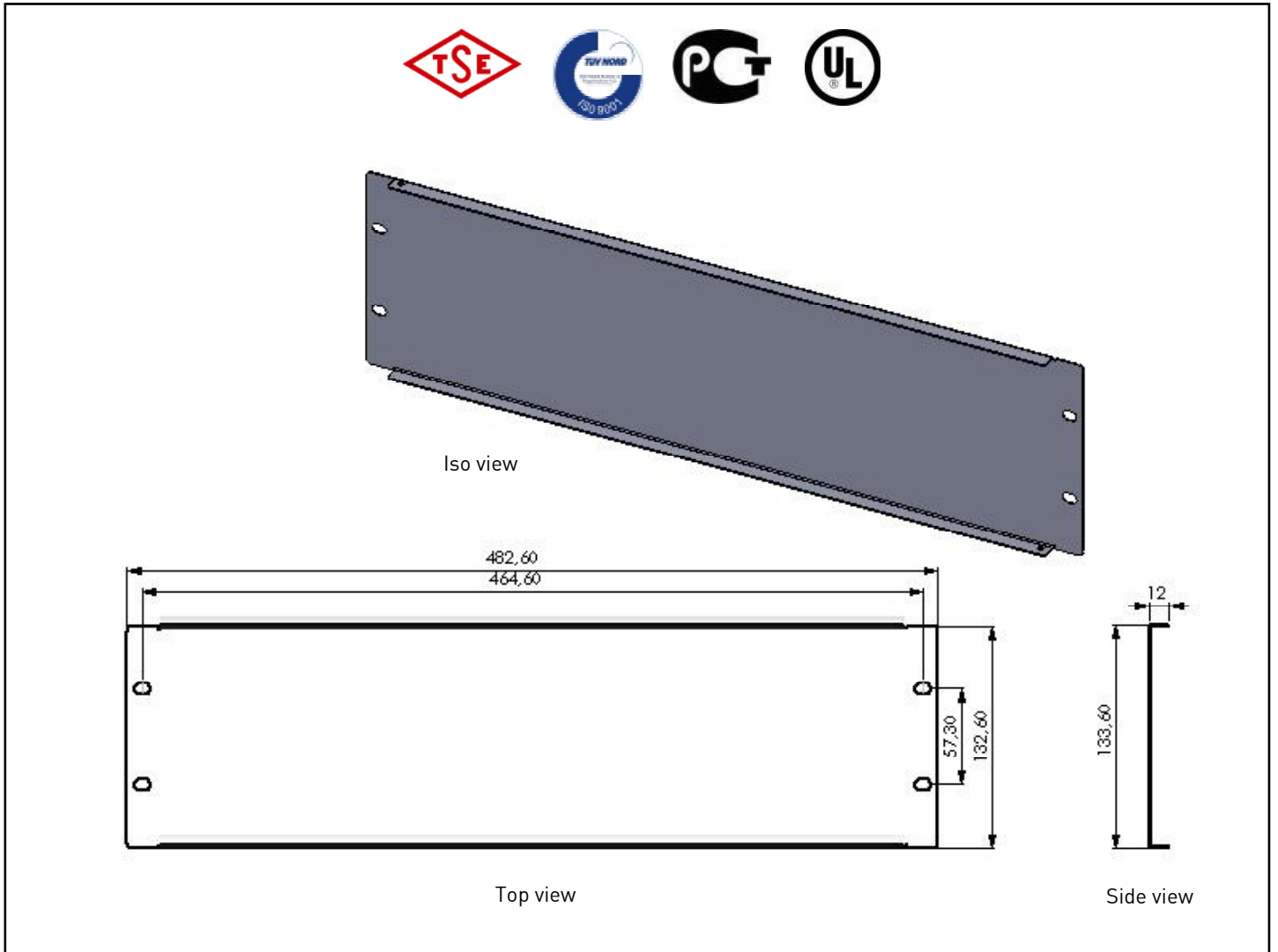


2U Blank Panels		
Order No	Product Definition	Dimensions (wxdxh) mm
E44BPN02	2U blank panel	483x12x88

Shipping Data				
Order No	Quantity	Shipping Dimension (palette) WxHxD	Net Weight (kg)	Gross Weight (kg)
E44BPN02	21	560x425x122	11,04	11,60

3U Blank Panel

TECHNICAL DRAWINGS

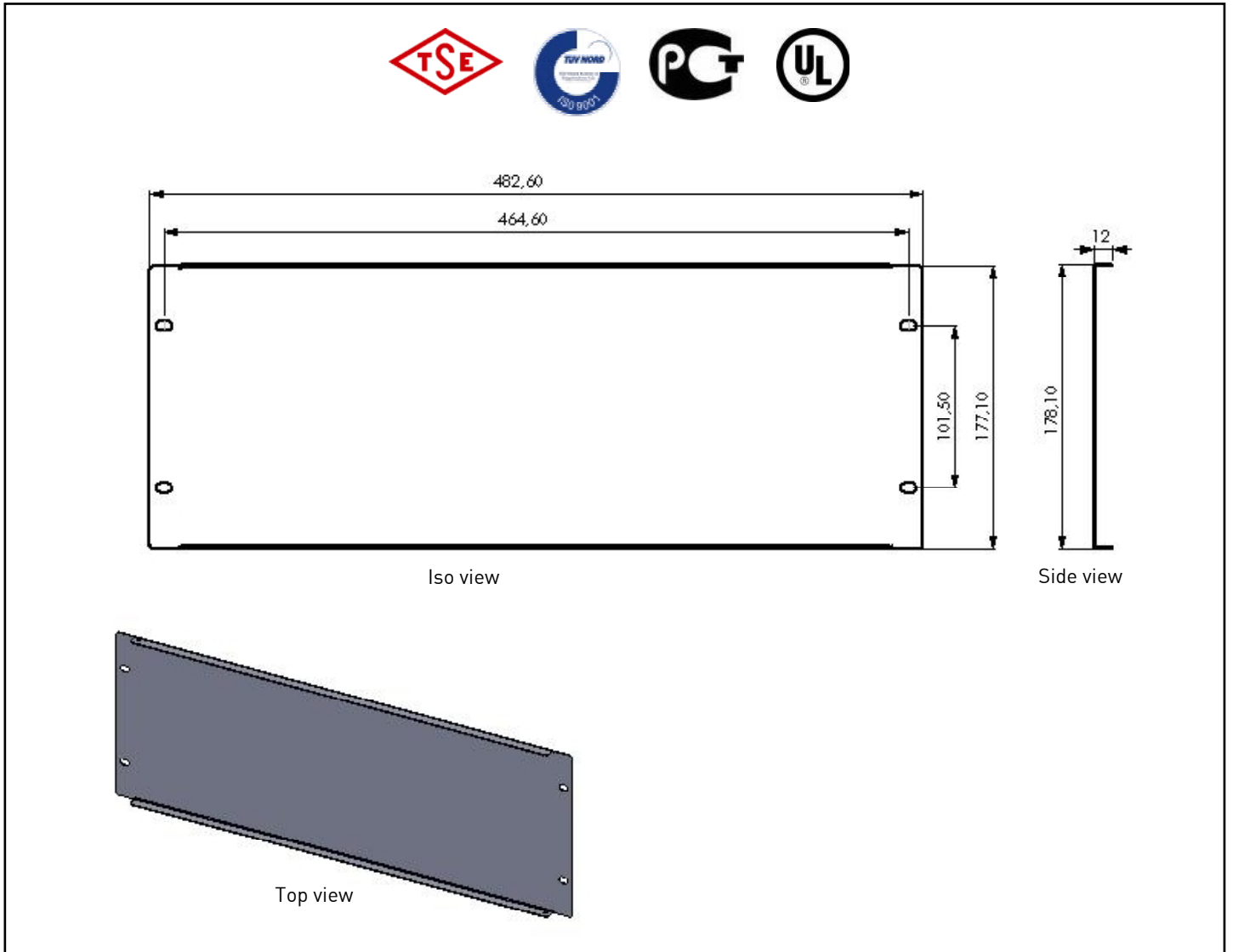


3U Blank Panels		
Order No	Product Definition	Dimensions (wxdxh) mm
E44BPN03	3U blank panel	483x12x133

Shipping Data				
Order No	Quantity	Shipping Dimension (palette) WxHxD	Net Weight (kg)	Gross Weight (kg)
E44BPN03	40	545x440x400	29,76	31,26

4U Blank Panel

TECHNICAL DRAWINGS

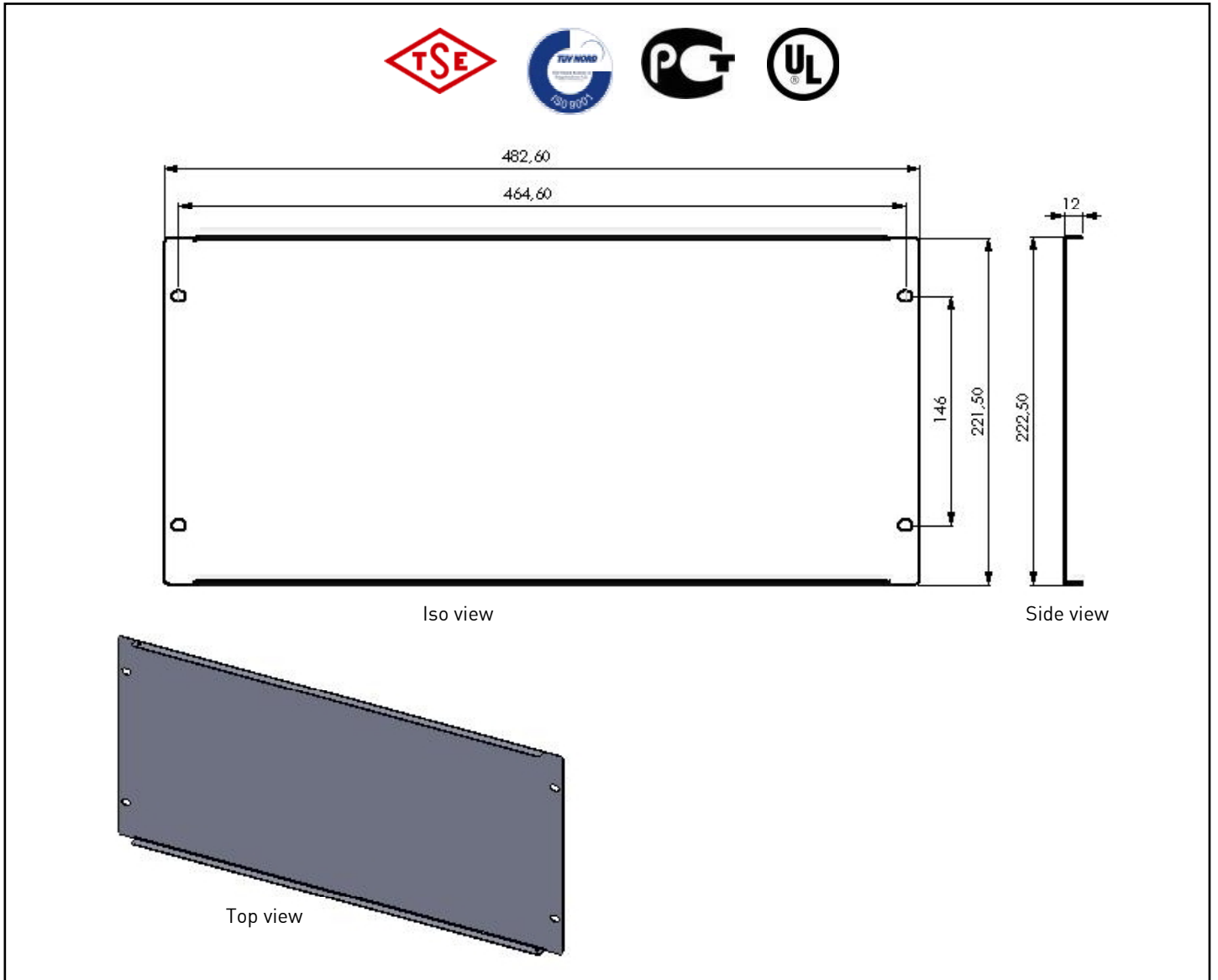


4U Blank Panels		
Order No	Product Definition	Dimensions (wxdxh) mm
E44BPN04	4U blank panel	483x12x177

Shipping Data				
Order No	Quantity	Shipping Dimension (palette) WxHxD	Net Weight (kg)	Gross Weight (kg)
E44BPN04	40	545x440x400	35,80	37,30

5U Blank Panel

TECHNICAL DRAWINGS

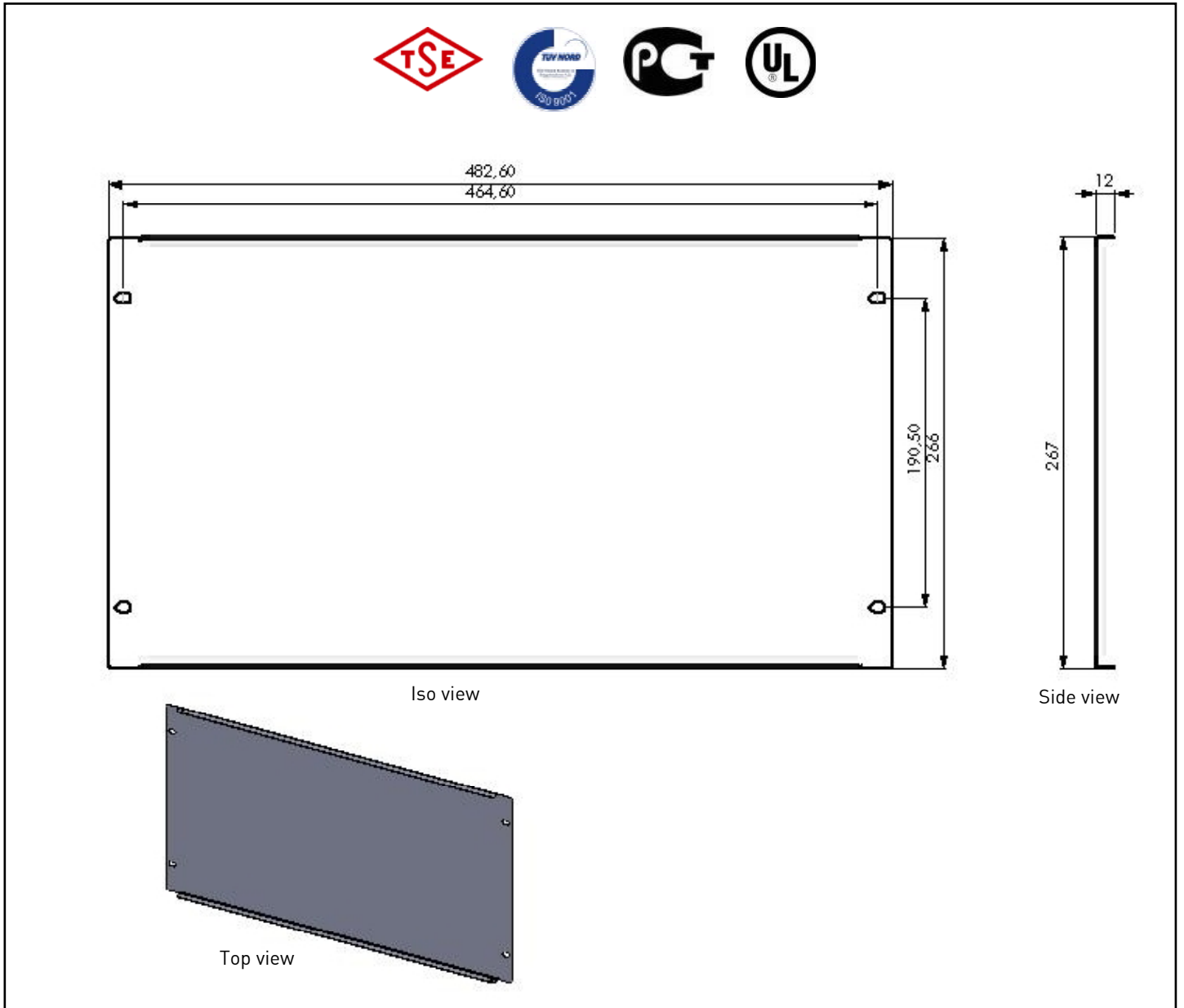


5U Blank Panels		
Order No	Product Definition	Dimensions (wxhxD) mm
E44BPN05	5U blank panel	483x12x222

Shipping Data				
Order No	Quantity	Shipping Dimension (palette) WxHxD	Net Weight (kg)	Gross Weight (kg)
E44BPN05	40	550x430x480	43,20	44,70

6U Blank Panel

TECHNICAL DRAWINGS

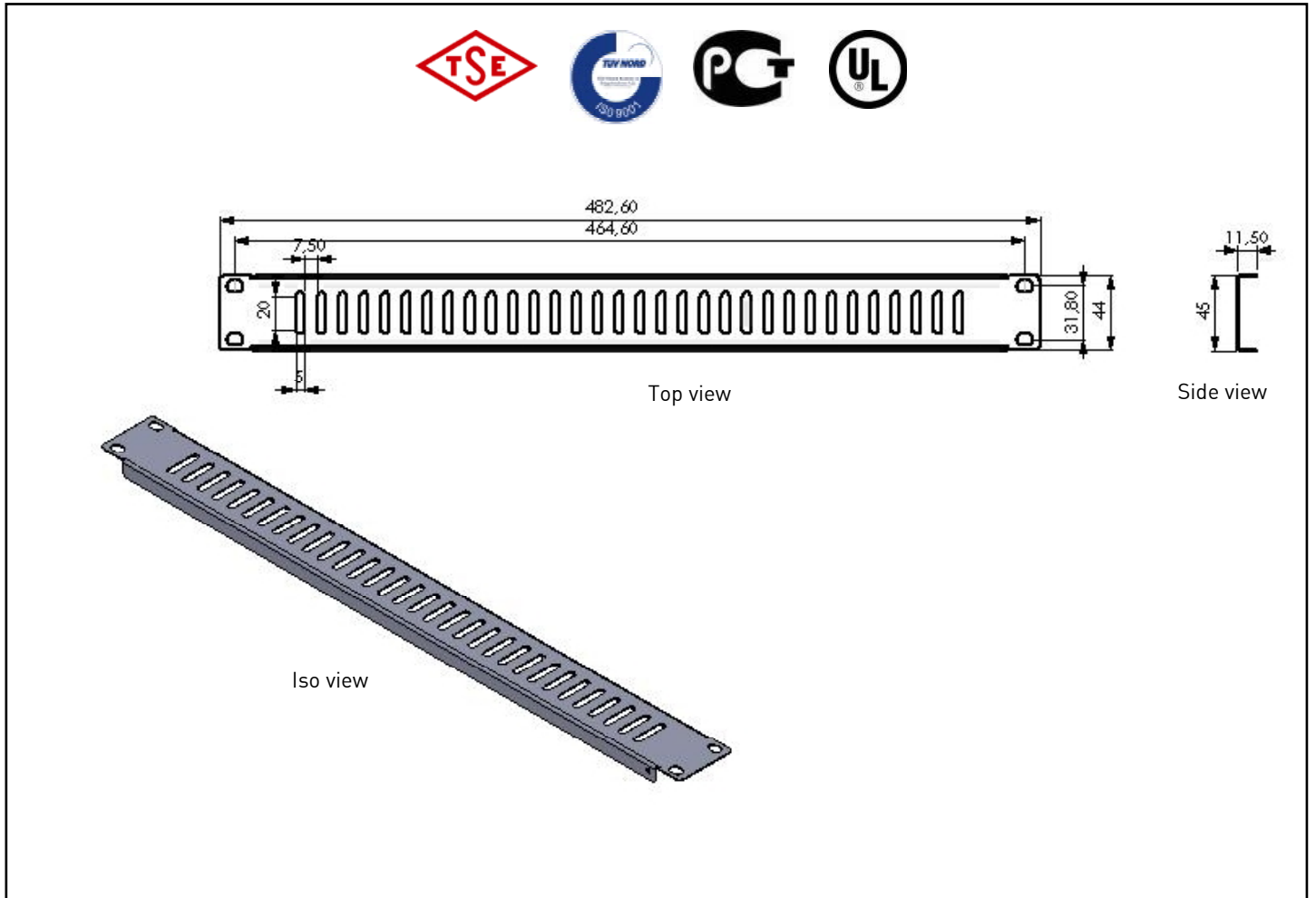


6U Blank Panels		
Order No	Product Definition	Dimensions (wxdxh) mm
E44BPN06	6U blank panel	483x12x266

Shipping Data				
Order No	Quantity	Shipping Dimension (palette) WxHxD	Net Weight (kg)	Gross Weight (kg)
E44BPN06	42	550x440x605	54,096	55,50

1U Blank Panel – Vented

TECHNICAL DRAWINGS

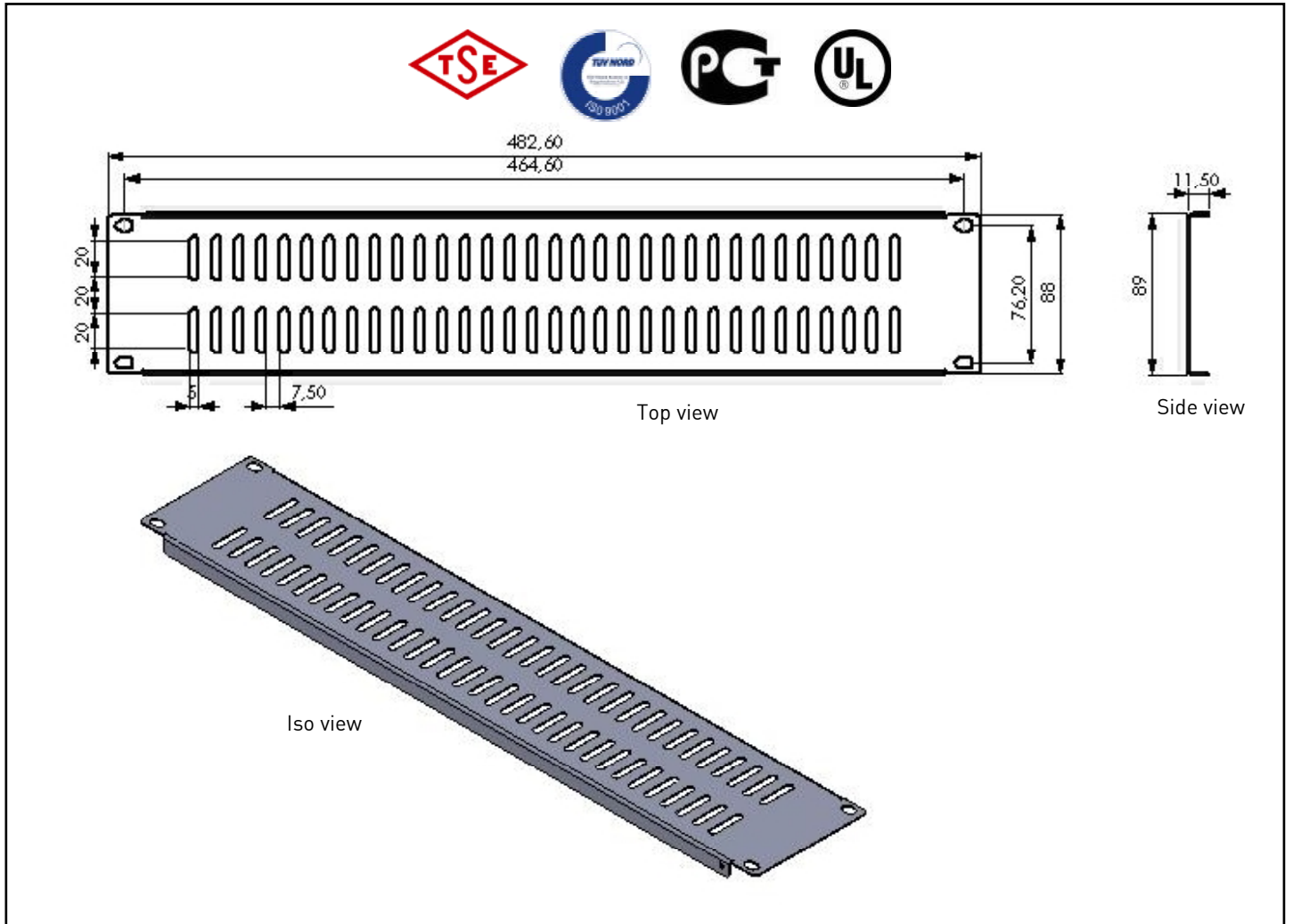


1U Blank Panel - Vented		
Order No	Product Definition	Dimensions (wxhxh) mm
E44PPN01	1U blank panel - vented	483x12x44

Shipping Data				
Order No	Quantity	Shipping Dimension (palette) WxHxD	Net Weight (kg)	Gross Weight (kg)
E44PPN01	40	560x425x122	11,60	12,20

2U Blank Panel - Vented

TECHNICAL DRAWINGS



2U Blank Panel - Vented		
Order No	Product Definition	Dimensions (wxdxh) mm
E44PPN02	2U blank panel - vented	483x12x88

Shipping Data				
Order No	Quantity	Shipping Dimension (palette) WxHxD	Net Weight (kg)	Gross Weight (kg)
E44PPN02	21	560x425x122	11,04	11,60