

Slide Rails / D=600 / D=800 / D=1000 mm



FEATURES

Slide rails are designed to support heavy 19" devices by mounting to the 19" mounting angles at the sides.
Easy for mounting
3 different depth

COMPLIANCES

UL and cUL
Load Carrying Capacity: 100 kg
Surface Treatment: Fosfat coating
Painting: Ral7035 / Ral9005

STANDARDS

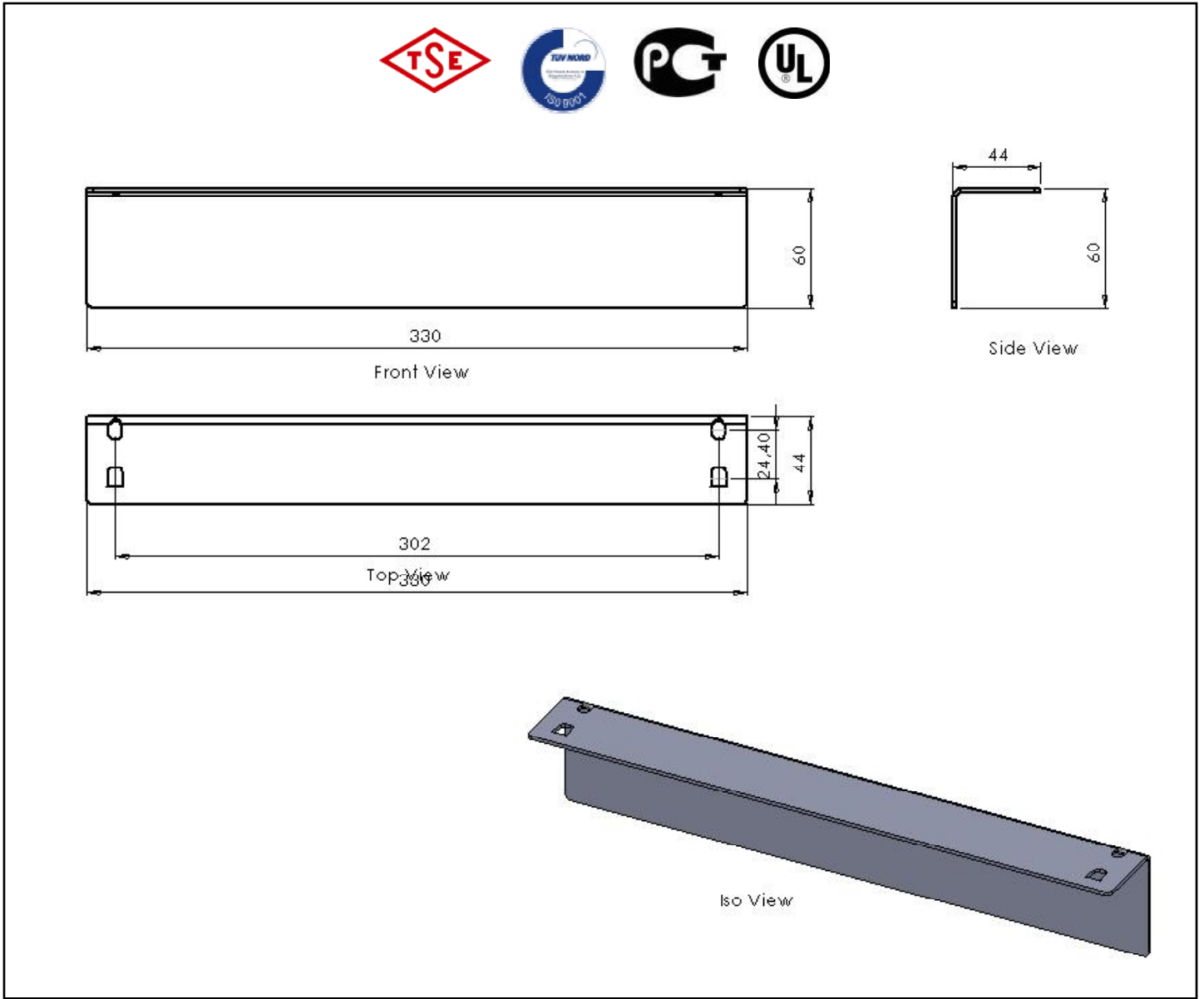
ISO 9001:2000
TSE:EN 61587-1 Mechanical Structures For Electronic Equipment - Tests For IEC 60917 And IEC 60297
Climatic and Environment: EN 61587-1/4.2, IEC60068-2-1, IEC60068-2-2, IEC60068-2-30,
Static Mechanical Load Lifting: EN61587-1/5.2.1
Static Mechanical Load Stiffness: EN61587-1/5.2.2
Dynamic Mechanical Load Vibration and Shock, Impact: EN61587-1/5.3.1, EN61587-1/5.3.3, IEC60068-2-6, IEC60068-2-27,
Earth Bond: EN61587-1/6.2
Flammability: EN61587-1/6.3

Material Definition and Properties, Thicknesses and Shipment Configuration

Part Definition	Material thickness	Material definition & properties	Shipment Configuration
Slide Rail	2,00 mm	DIN EN 10130 - 99 EREGLI DC-01 6112 CRS	1ea.

Sliding Rails D=600 mm

TECHNICAL DRAWINGS

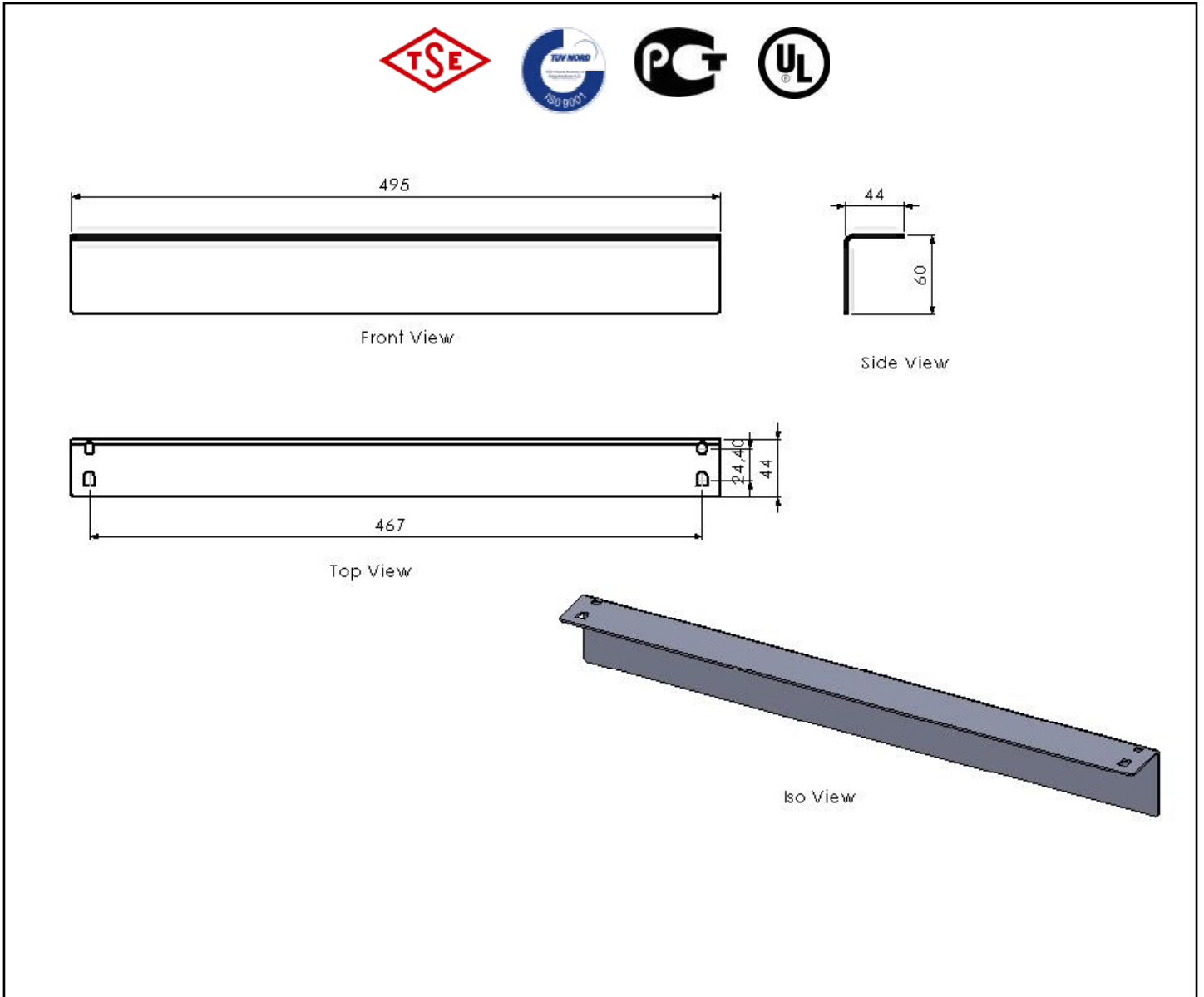


Slide Rails		
Order No	Product Definition	Dimensions (wxdxh) mm
M44RLD60	L type support slide rail, enclosure depth=600 mm	330x60x44

Shipping Data				
Order No	Quantity	Shipping Dimension (palette) WxHxD	Net Weight (kg)	Gross Weight (kg)
M44RLD60	10	560x425x125	10,900	11,000

Sliding Rails D=800 mm

TECHNICAL DRAWINGS

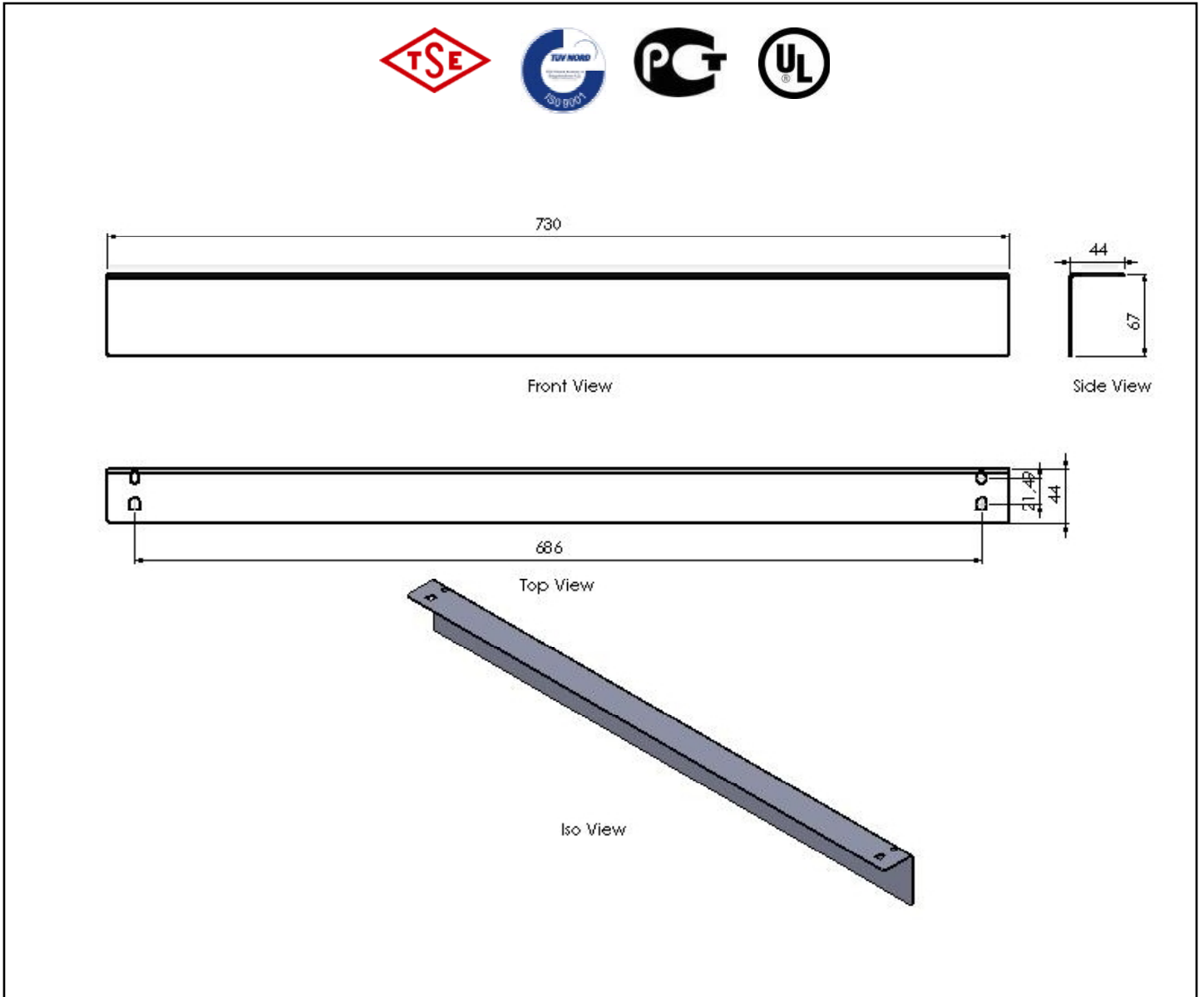


Slide Rails		
Order No	Product Definition	Dimensions (wxdxh) mm
M44RLD80	L type support slide rail, enclosure depth=800 mm	490x60x44

Shipping Data				
Order No	Quantity	Shipping Dimension (palette) WxHxD	Net Weight (kg)	Gross Weight (kg)
M44RLD80	10	560x425x125	16,000	17,000

Sliding Rails D=1000 mm

TECHNICAL DRAWINGS



Slide Rails		
Order No	Product Definition	Dimensions (wxdxh) mm
M44RLD100	L type support slide rail, enclosure depth=1000 mm	730x65x44

Shipping Data				
Order No	Quantity	Shipping Dimension (palette) WxHxD	Net Weight (kg)	Gross Weight (kg)
M44RLD100	10	856x617x150	24,900	26,000