

4 Point 19" Rack Mount Shelves – 2pt. Front – 2pt. Rear



FEATURES

4point 19" rack mounting, 2 point from the front 19" mounting angles, 2pt. From the rear 19" mounting angles, from front 1U or 2U, from rear 1U
 Vented
 Adjustable depth

COMPLIANCES

UL and cUL
Load Carrying Capacity: 25 kg
Surface Treatment: Fosfat coating
Painting: Ral7035 / Ral9005

STANDARDS

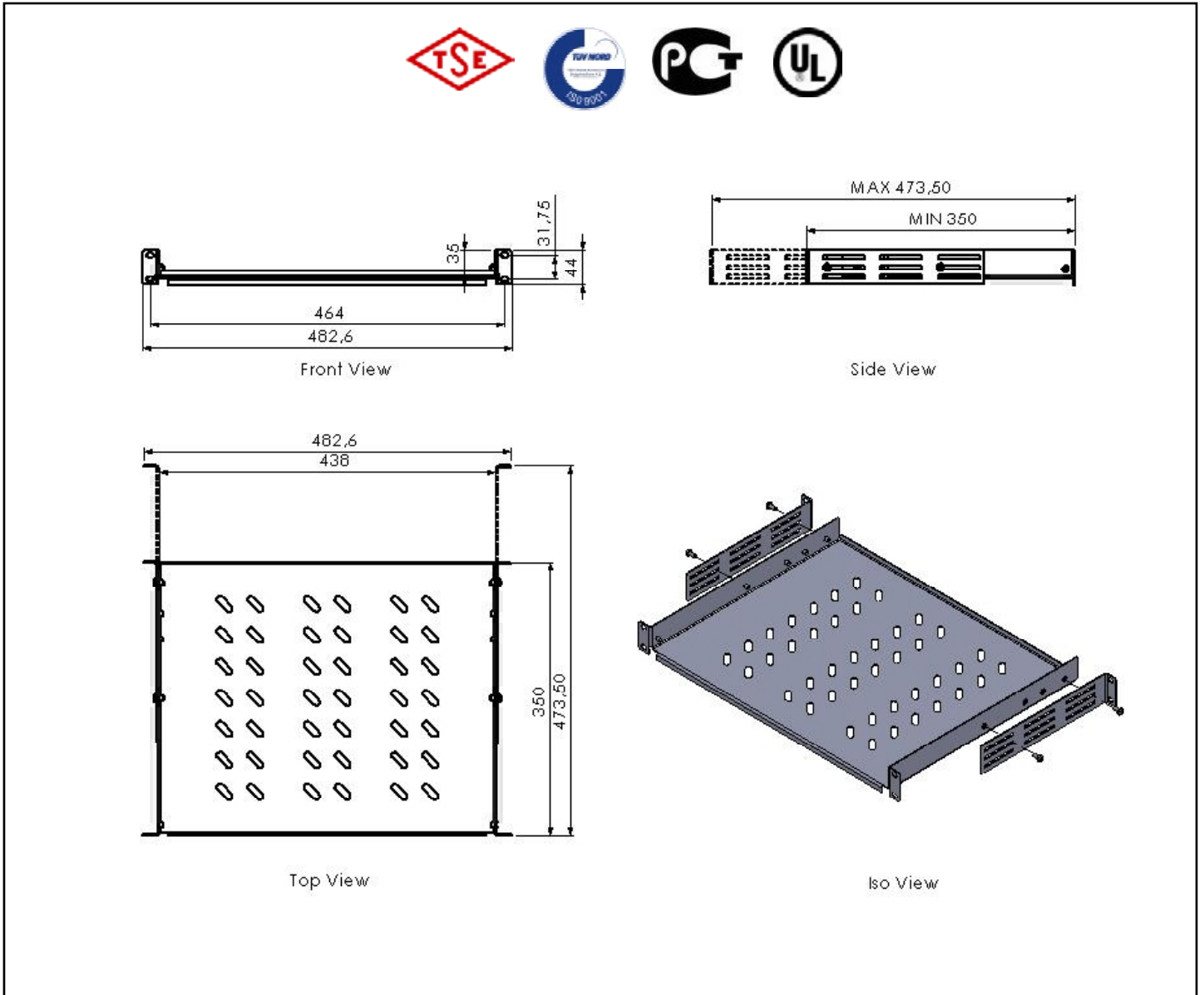
ISO 9001:2000
 TSE:EN 61587-1 Mechanical Structures For Electronic Equipment - Tests For IEC 60917 And IEC 60297
 Climatic and Environment:EN 61587-1/4.2, IEC60068-2-1, IEC60068-2-2, IEC60068-2-30,
Static Mechanical Load Lifting: EN61587-1/5.2.1
Static Mechanical Load Stiffness: EN61587-1/5.2.2
Dynamic Mechanical Load Vibration and Shock, Impact: EN61587-1/5.3.1, EN61587-1/5.3.3, IEC60068-2-6, IEC60068-2-27,
Earth Bond: EN61587-1/6.2
Flammability: EN61587-1/6.3

Material Definition and Properties, Thicknesses and Shipment Configuration

Part Definition	Material thickness	Material definition & properties	Shipment Configuration
19" Rack Mount Shelf	1,5 mm	DIN EN 10130 - 99 EREGLI DC-01 6112 CRS	1ea.
C-rails	1,5 mm	DIN EN 10130 - 99 EREGLI DC-01 6112 CRS	2ea.

4 Point U 19" Rack Mount Shelves D=350 mm

TECHNICAL DRAWINGS

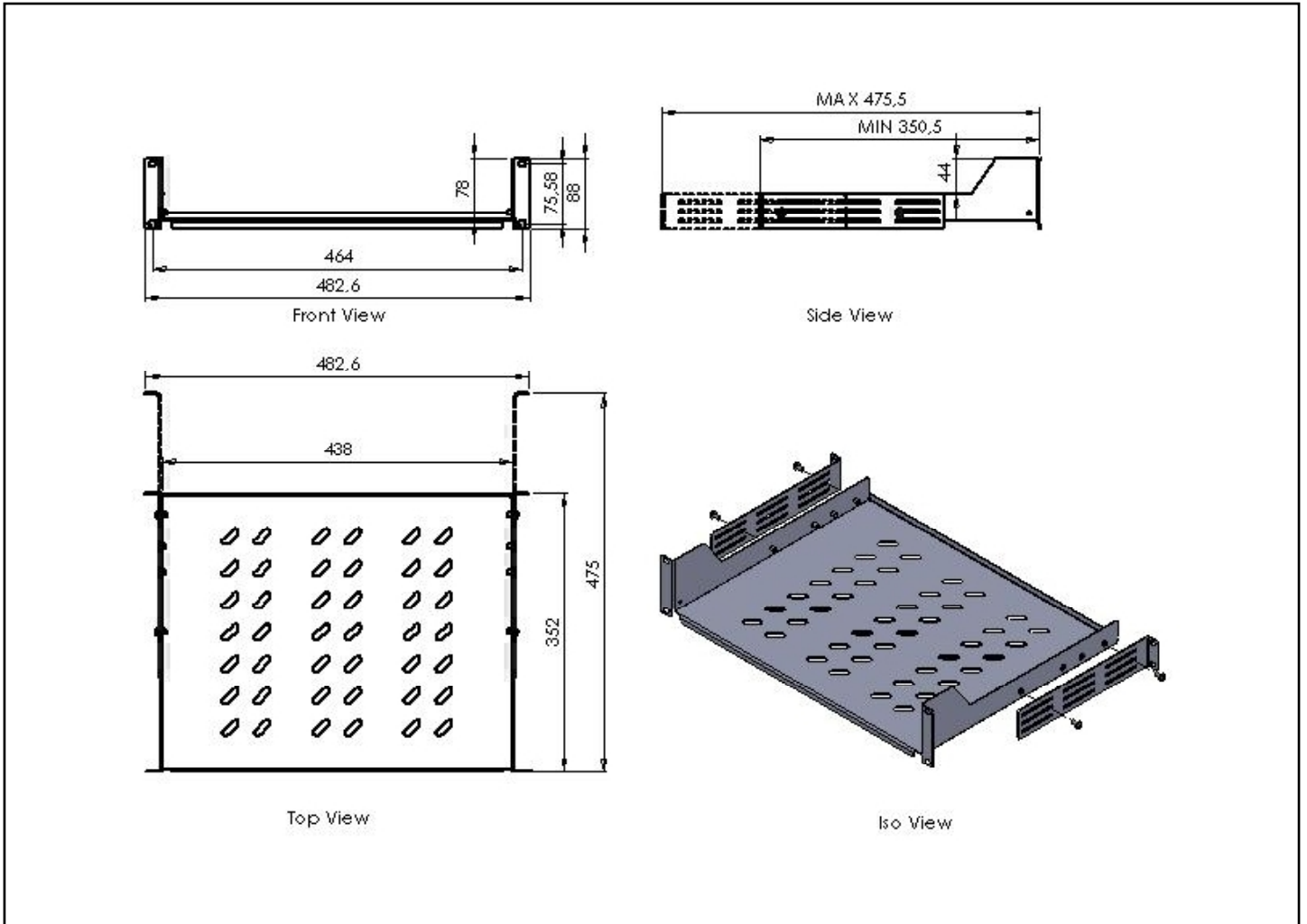


4Point U 19" Rack Mount Shelves		
Order No	Product Definition	Dimensions (wxhxh) mm
E44RM3511	19" Rack mount shelf 1U front 1U rear connection on 19" profile depth=350 mm	483x350x44

Shipping Data				
Order No	Quantity	Shipping Dimension (palette) WxHxD	Net Weight (kg)	Gross Weight (kg)
E44RM3511	7	550x430x480	19,527	21,00

4 Point U 19" Rack Mount Shelves D=350 mm

TECHNICAL DRAWINGS

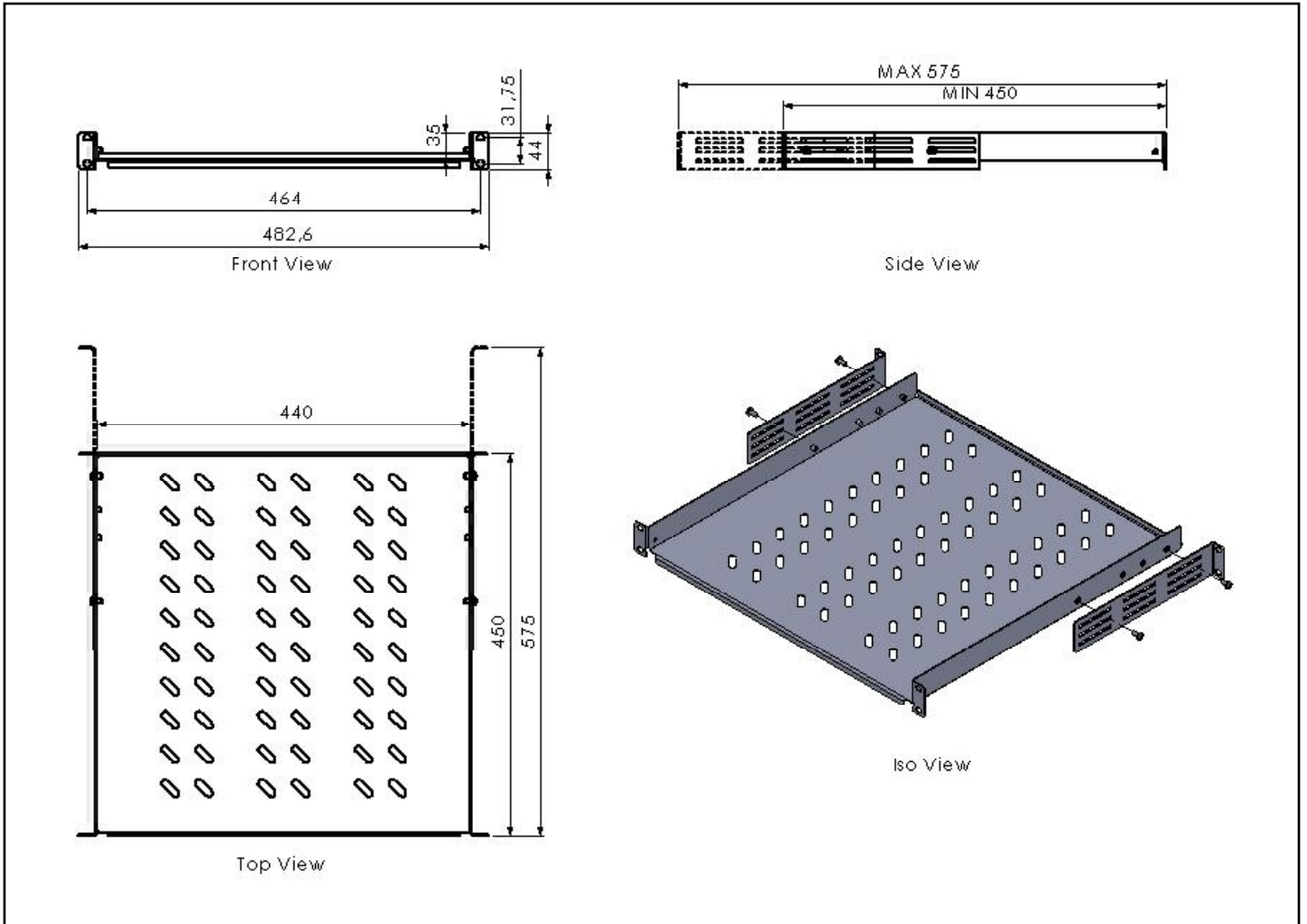


4PointU 19" Rack Mount Shelves		
Order No	Product Definition	Dimensions (wxdxh) mm
E44RM3521	19" Rack mount shelf 2U front 1U rear connection on 19" profile depth=350 mm	483x350x88

Shipping Data				
Order No	Quantity	Shipping Dimension (palette) WxHxD	Net Weight (kg)	Gross Weight (kg)
E44RM3521	4	545x425x400	11,60	13,10

4 Point U 19" Rack Mount Shelves D=450 mm

TECHNICAL DRAWINGS

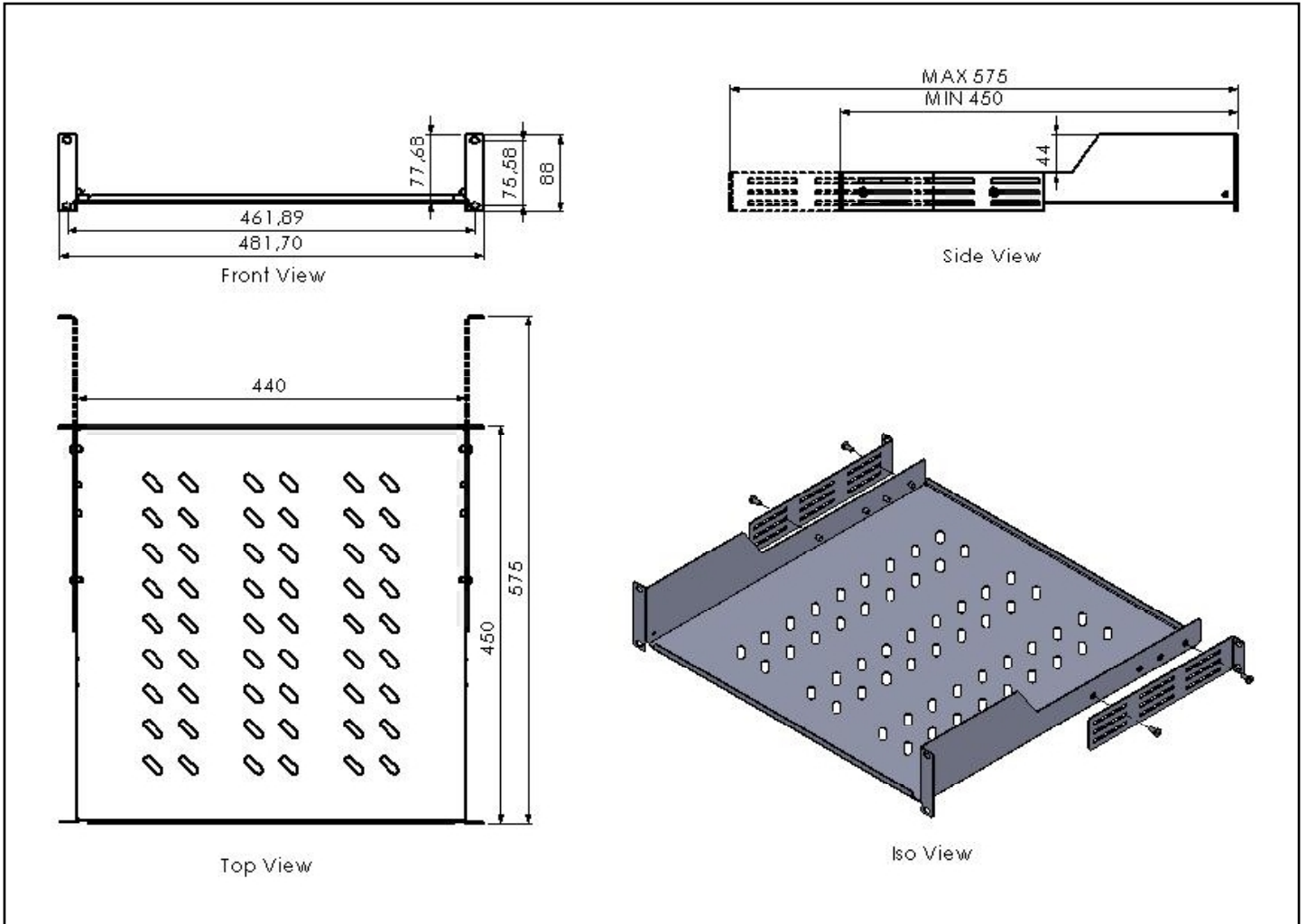


4PointU 19" Rack Mount Shelves		
Order No	Product Definition	Dimensions (wxdxh) mm
E44RM4511	19" Rack mount shelf 1U front 1U rear connection on 19" profile depth=450 mm	483x450x44

Shipping Data				
Order No	Quantity	Shipping Dimension (palette) WxHxD	Net Weight (kg)	Gross Weight (kg)
E44RM4511	7	550x440x605	23,611	25,10

4 Point U 19" Rack Mount Shelves D=450 mm

TECHNICAL DRAWINGS

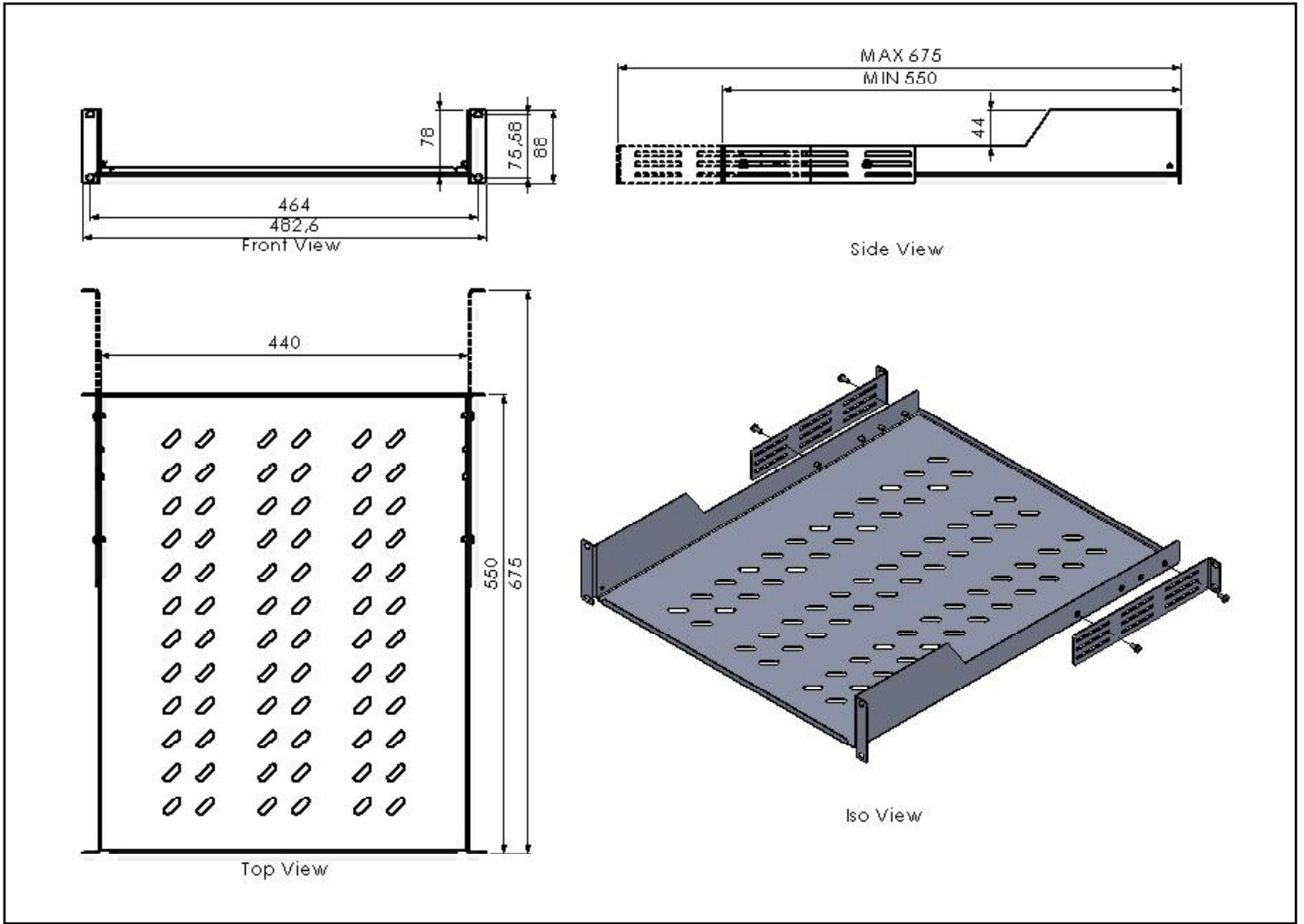


4PointU 19" Rack Mount Shelves		
Order No	Product Definition	Dimensions (wxdxh) mm
E44RM4521	19" Rack mount shelf 2U front 1U rear connection on 19" profile depth=450 mm	483x450x88

Shipping Data				
Order No	Quantity	Shipping Dimension (palette) WxHxD	Net Weight (kg)	Gross Weight (kg)
E44RM4521	4	550x440x605	14,80	16,30

4 Point U 19" Rack Mount Shelves D=550 mm

TECHNICAL DRAWINGS

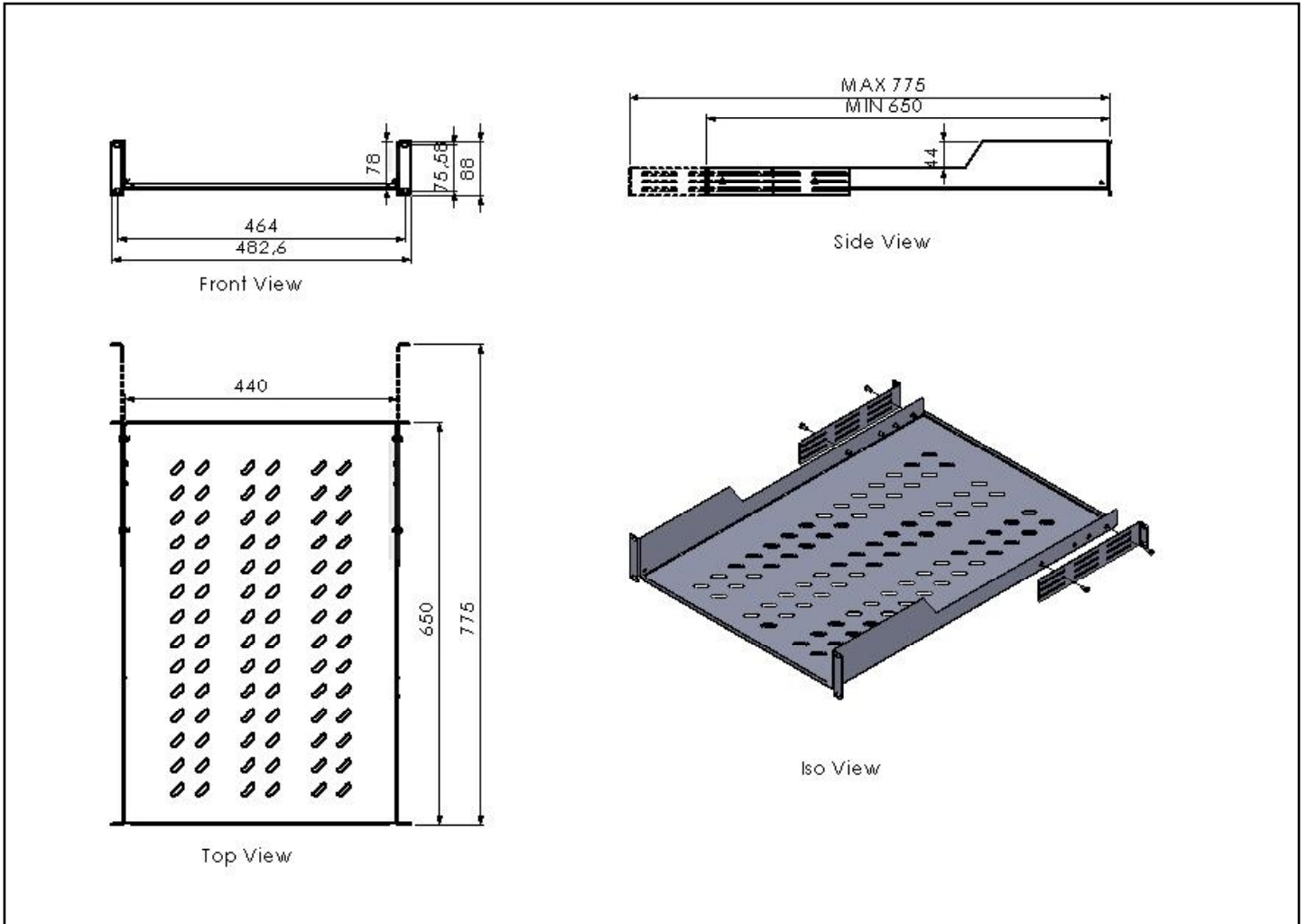


4PointU 19" Rack Mount Shelves		
Order No	Product Definition	Dimensions (wxdxh) mm
E44RM5521	19" Rack mount shelf 2U front 1U rear connection on 19" profile depth=450 mm	483x550x88

Shipping Data				
Order No	Quantity	Shipping Dimension (palette) WxHxD	Net Weight (kg)	Gross Weight (kg)
E44RM5521	4	550x440x605	17,20	18,70

4 Point U 19" Rack Mount Shelves D=650 mm

TECHNICAL DRAWINGS



4Point U 19" Rack Mount Shelves		
Order No	Product Definition	Dimensions (wxdxh) mm
E44RM6521	19" Rack mount shelf 2U front 1U rear connection on 19" profile depth=650 mm	483x650x88

Shipping Data				
Order No	Quantity	Shipping Dimension (palette) WxHxD	Net Weight (kg)	Gross Weight (kg)
E44RM6521	4	550x440x800	18,12	19,62